

EXPLODED VIEW & PARTS LIST

NOTES

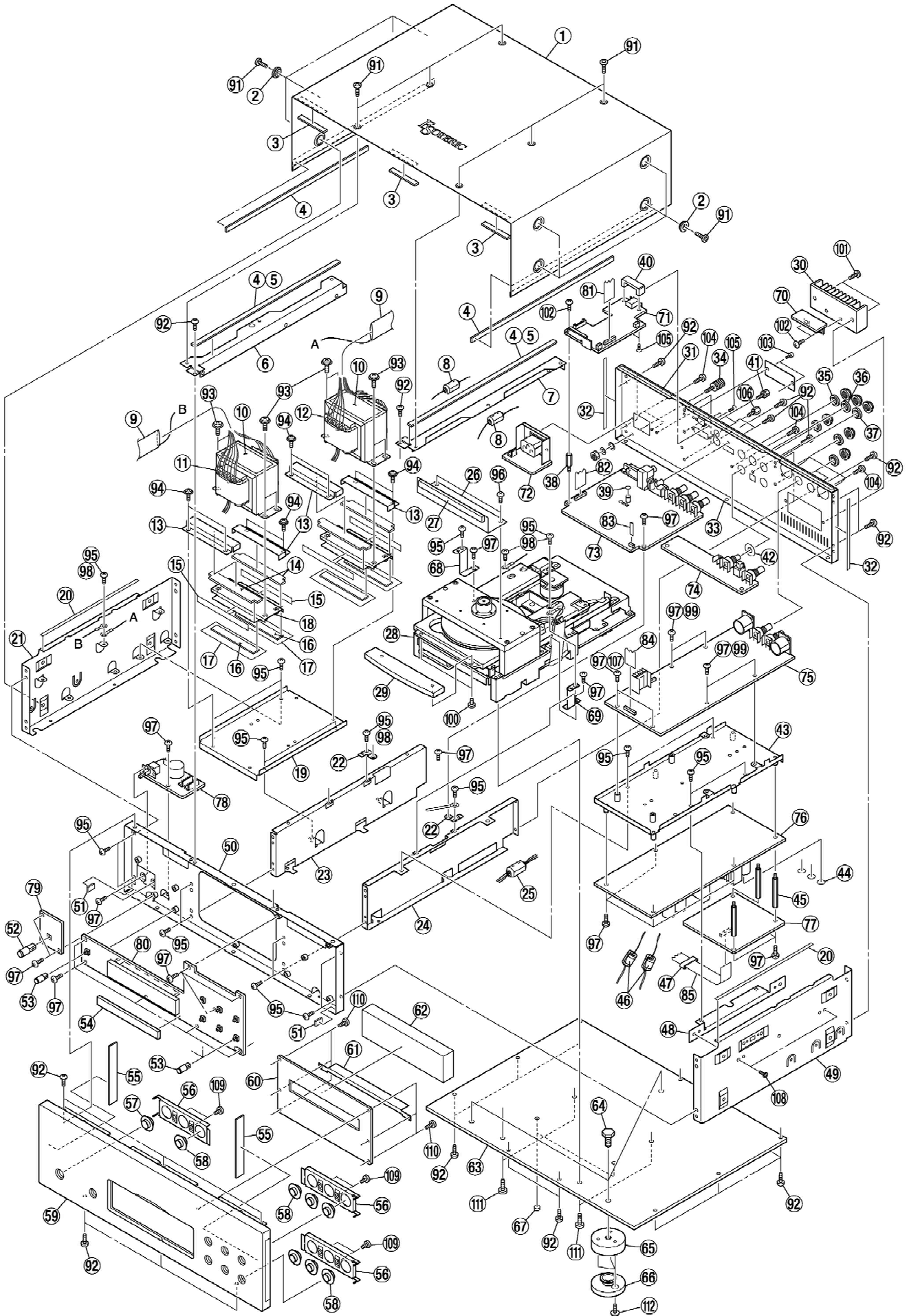
- PC boards shown are viewed from parts side.
- Parts marked with * require longer delivery time.
- The parts with no reference number or no parts number in the exploded views are not supplied.
- As regards the resistors and capacitors, refer to the circuit diagrams contained in the manual.
- \triangle Parts marked with this sign are safety critical components. They must be replaced with identical components – refer to the appropriate parts list and ensure exact replacement.
- Parts of [] mark can be used only with the version designated.
[J]: JAPAN [US]: U.S.A. [C]: CANADA [K]: KOREA
[E]: EUROPE [A]: AUSTRALIA [GE]: GENERAL EXPORT

注意

- プリント基板は部品面が示されています。
- * 印の部品は納期が若干かかります。
あらかじめご了承ください。
- 分解図に部番のない部品及び品番のない部品は供給しません。
- 標準の抵抗、コンデンサーは省略してあります。
回路図を参照してください。
- \triangle は安全重要部品です。
交換する時は必ずティアック指定の部品を使用してください。
- 仕向先
[J]: JAPAN [US]: U.S.A. [C]: CANADA [K]: KOREA
[E]: EUROPE [A]: AUSTRALIA [GE]: GENERAL EXPORT

EXPLODED VIEWS AND PARTS LIST

EXPLODED VIEW-1



EXPLODED VIEW-1

REF. NO.	PARTS No.	DESCRIPTION	REMARKS
1-1	M01969410A	BONNET,EXP UX-3	
1-2	M01969500A	COLLAR,SCREW 2.3 S	
1-3	M01939600A	GASKET,E02S080030ET/50MM	EXP
1-4	M02213800A	GASKET,E02S100030ET/280	EXP
1-4	M02213800A	GASKET,E02S100030ET/280	EXP
1-5	M02114500A	CUSHION,PORON T3 280*10	DM
1-6	M01766700B	FRAME,TOP L X-01	DM
1-6	M01766710A	FRAME,TOP L EXP X-01	EXP
1-7	M01766800B	FRAME,TOP R X-01	DM
1-7	M01766810A	FRAME,TOP R EXP X-01	EXP
1-8	E0096620	CORE,E04SR130525AB BLACK	
1-9	M02098900A	SHRINK SHIELD, 30X400	
1-10	M02049801A	LABEL,TRANS SILVER ESO	
1-11	E00987900B	TRANS,ANALOG UX-3	DM
1-11	E00987920A	TRANS,ANALOG UX-3 T/C	T/C
1-11	E00987950A	TRANS,ANALOG UX-3 EUR	EUR/KOR
1-12	E00987800B	TRANS,DIGITAL UX-3	DM
1-12	E00987820A	TRANS,DIGITAL UX-3 T/C	T/C
1-12	E00987850A	TRANS,DIGITAL UX-3 EUR	EUR/KOR
1-13	M02049500A	BRACKET,TRANS(B) UX-3	DM
1-13	M02049510A	BRACKET,TRANS(B) EXP UX-3	EXP
1-14	M02096200A	RUBBER SHEET,TRANS(B)	
1-15	M02096900A	TAPE,TEFLON(A)	
1-16	M02096100A	RUBBER SHEET,TRANS(A)	
1-17	M02096901A	TAPE,TEFLON(B)	
1-18	M02049400A	BRACKET,TRANS(A) UX-3	DM
1-18	M02049410A	BRACKET,TRANS(A) EXP UX-3	EXP
1-19	M02034200A	CHASSIS,TRANS UX-3	DM
1-19	M02034210A	CHASSIS,TRANS EXP UX-3	EXP
1-20	M02164300A	GASKET,E02F4T/5X190	
1-21	M00389301B	CHASSIS,SIDE L UX-1	DM
1-21	M00389310B	CHASSIS,SIDE L EXP UX-1	EXP
1-22	M02050200A	BRACKET,PCB VIDEO UX-3	
1-23	M01724200B	FRAME,L X-01	DM
1-23	M01724210A	FRAME,L EXP X-01	EXP
1-24	M01724300A	FRAME,R X-01	DM
1-24	M01724310A	FRAME,R EXP X-01	EXP
1-25	E0096630	CORE,E04SR170730AB BLACK	
1-26	M02230800A	COVER,SHIELD UX-3	
1-27	M02230700A	13230T,E02S100040ET/125MM	
1-28	M01969600A	MECH ASSY,UNIT UX-3	
	E95249900A	PCB ASSY CORE13162PU A-ID	WITH / AIDIO-ID
1-29	M02033800A	PANEL,TRAY UX-3	
1-30	M01480700A	HEATSINK,DV-50	
1-31	M01939800A	GASKET,E02F4T/5X420	EXP
1-32	M02213700A	GASKET,E02F4T/5*120	EXP
1-33	M01969300A	REAR PANEL,DM UX-3	DM
1-33	M01969310A	REAR PANEL,EXP UX-3	EXP
1-34	E00768700A	TERMINAL,GND D12	EXP
1-35	M01821100A	WASHER,BNC R	RED
1-36	M01821200A	WASHER,BNC G	GREEN
1-37	M01821300A	WASHER,BNC B	BLUE
1-38	M0204990	SPACER,BSB-318	
1-39	M02125100A	SHEET,SHIELD(CU)-6	SHEET, COPPER (SMALL)
1-40	M02034300A	HOLDER,1394JACK UX-3	
1-41	M02116000A	SPACER,TBSB-2505.8	
1-42	M01259600A	POLYEST WSHR,10.5*20*0.2T	
1-43	M02034100A	BRACKET,PCB UX-3	DM
1-43	M02034110A	BRACKET,PCB EXP UX-3	EXP
1-44	M01571300A	SHEET,SHIELD(CU)-10	SHEET, COPPER(L)
1-45	M0205010	SPACER,BSB-348	
1-46	E0047010	CORE,E04SR150718	EXP
1-47	E0096950	CORE,E04FG221308	EXP
1-48	M02034500A	BRACKET,SIDE UX-3	DM
1-48	M02034510A	BRACKET,SIDE EXP UX-3	EXP
1-49	M02034400A	CHASSIS,SIDE R UX-3	DM
1-49	M02034410A	CHASSIS,SIDE R EXP UX-3	EXP
1-50	M01724100B	CHASSIS,FRONT X-01	DM
1-50	M01724110A	CHASSIS,FRONT EXP X-01	EXP
1-51	M02107800A	CUSHION,PORON T3 13*8	

EXPLODED VIEW-1

REF. NO.	PARTS No.	DESCRIPTION	REMARKS
1-52	M01723600A	BUTTON,D10 X-01	
1-53	M01723500A	BUTTON,D8 X-01	
1-54	M01838900B	RUBBER SH,PORON T5 135*15	
1-55	M01717600B	CUSHION,PORON T3 105*12	
1-56	M01723900A	BRACKET,LENS X-01	
1-57	M01723800A	LENS,D10 X-01	
1-58	M01723700A	LENS,D8 X-01	
1-59	M01969100A	FRONT PNL ASSY,UX-3	
1-60	M02101400A	WINDOW,FRONT UX-3	
1-61	M01723400A	PLATE,BLIND X-01	
1-62	M01777600A	CUSHION,FOAM FRONT	
1-63	M01724600A	PLATE,BOTTOM X-01	
1-64	M01494802A	FOOT,(A) HEX 15	DM
1-64	M01494805A	FOOT,(A) HEX 15 EXP	EXP
1-65	M01495001A	STAND,FOOT 13	DM
1-65	M01495002A	STAND,FOOT 13 EXP	EXP
1-66	M01494901A	FOOT,(B) 11	DM
1-66	M01494902A	FOOT,(B) 11 EXP	EXP
1-67	M01847300A	RUBBER SH,D9*T2 PORON	
1-68	M02032900A	BRACKET,MECHA L UX-3	
1-69	M02033000A	BRACKET,MECHA R UX-3	
1-70	E95182400A	PCB ASSY,REG	
1-71	E95229900A	PCB ASSY,1394 BVF	
1-72	E95232500A	PCB ASSY,INLET UX-3	
1-73	E95233900A	PCB ASSY,VIDEO UX-3	
1-74	E95182100A	PCB ASSY,D-OUT	
1-75	E95223800A	PCB ASSY,DAC UX-3	DM
1-75	E95223810A	PCB ASSY,DAC EXP UX-3	EXP
1-76	E95233200A	PCB ASSY,POWER UX-3	DM
1-76	E95233220A	PCB ASSY,POWER UX-3 T/C	T/C
1-76	E95233250A	PCB ASSY,POWER UX-3 EUR	EUR/KOR
1-77	E95231600A	PCB ASSY,DATA JCT	
1-78	E95232400A	PCB ASSY,PSW UX-3	DM
1-78	E95232420A	PCB ASSY,PSW UX-3 T/C	T/C
1-78	E95232450A	PCB ASSY,PSW UX-3 EUR	EUR/KOR
1-79	E95233800A	PCB ASSY,PWRLED UX-3	
1-80	E95232100A	PCB ASSY,FRONT UX-3	DM
1-80	E95232120A	PCB ASSY,FRONT UX-3 T/C	T/C
1-80	E95232150A	PCB ASSY,FRONT UX-3 EUR	EUR
1-80	E95232104A	PCB ASSY,FRONT UX-3 KOR	KOR
1-81	E01017700A	FLAT CABLE,JCT-1394 UX GN	
1-82	E01017400A	FLAT CABLE,CORE-VID UX GN	
1-83	E01017600A	FLAT CABLE,FRO-VIDEO UX G	
1-84	E01017800A	FLAT CABLE,JCT-DAC2 UX GN	
1-85	E01017500A	FLAT CABLE,CORE-JCT UX GN	
1-91	5801532510	SCREW,HEXAGON 3*8SILVER	
1-92	B00170908A	SCREW,VPBR 3*8 FZB G	
1-93	B00197708A	SCREW,PPSU 4*8 FZB G	
1-94	B00173006A	SCREW,PPS 3*6 FZB G	
1-95	B00170808A	SCREW,VPB 3*8 FZB G	
1-96	B00168906A	SCREW,VPA 3*6 FZB G	
1-97	B00170506A	SCREW,VPC 3*6 FZB G	
1-98	B00244608A	SCREW,VPB 3*8FCU	
1-99	B00237806A	SCREW,VPA 3*6FCU	
1-100	5780013003	SCREW,BPA 3*3 FNI	
1-101	B00172010A	SCREW,PPA 2.6*10 FZB G	
1-102	B00170508A	SCREW,VPC 3*8 FZB G	
1-103	5781702606	BOLT, H.S. M2.6X6(NI)	
1-104	B00170608A	SCREW,VPCR 3*8 FZB G	
1-105	B00200105A	SCREW,FPA 2.5*5FNI	
1-106	B0001960	BOLT,HHA UNC4-40*8.3	
1-107	B00239406A	SCREW,BPA 3*6FCU	
1-108	B00171104A	SCREW,DPA 3*4 FZB G	
1-109	B00174004A	SCREW,BPA 3*4 FZC G	
1-110	B00174006A	SCREW,BPA 3*6 FZC G	
1-111	B00171508A	SCREW,BPA 4*8 FZB G	
1-112	B00171006A	SCREW,PPAU 3*6 FZB G	

FRONT PCB ASSY

REF. NO.	PARTS No.	DESCRIPTION	REMARKS
	E95232100A	PCB ASSY,FRONT UX-3	
	E95232120A	PCB ASSY,FRONT UX-3 T/C	
	E95232150A	PCB ASSY,FRONT UX-3 EUR	
	E95232104A	PCB ASSY,FRONT UX-3 KOR	
	E90181900D	PCB,FRONT	
	M00539300A	HOLDER ASSY,FL	
	5801532101	FL GDE	
	M00539400A	CUSHION,	
	M0029800	SPACER,LED LH-3-4	
	M0176070	HOLDER,LED LF-10	
C1,C3,C4	5263167923	C, FILM 0.10UF 50V J VT	
C11,C13,C15	5263167923	C, FILM 0.10UF 50V J VT	
C12	5263310520	C, FILM 100PF 50V J VT	
C16,C17,C19	5263167923	C, FILM 0.10UF 50V J VT	
C2,C14,C18	5260462720	CE, 47UF 25V M AU VT	
C20	5263167923	C, FILM 0.10UF 50V J VT	
D1,D3	S0052200	LED,SLR343BCT3F	
D10	5224015020	DIO 1SS133T-77 FT	
D11-D13	S0054560	LED,SLI-343Y1 3F	
D18,D19	S0052200	LED,SLR343BCT3F	
D20	S0052200	LED,SLR343BCT3F	
D21,D22	S0052200	LED,SLR343BCT3F	
D23	S0052200	LED,SLR343BCT3F	
D4,D6	S0052200	LED,SLR343BCT3F	
D7,D9	S0052200	LED,SLR343BCT3F	
FL1	E00746900B	ELCTR N RAY DSPL,CM2058G G	
JP1	5181761000	JUMPER P=5.0	T/C
JP2	5181761000	JUMPER P=5.0	KOR
JP3	5181761000	JUMPER P=5.0	EUR
JP6	5242117400	JUMPER (INS) JPW-L5	
L1	5286033920	CHC 10UH K(LAP2T)VT	
P1	5336253700	CONN PL B07B-PH-K-Y	
P10	5336249800	CONN PL B08B-PH-K-S W	
P2	5336249900	CONN PL B09B-PH-K-S W	
P3	E0085664	CONNECTOR,10FLT-SM1-TB	
P4	5336250000	CONN PL B10B-PH-K-S W	
P5,P7	5336249300	CONN PL B03B-PH-K-S W	
P6	5336255900	CONN PL B09B-PH-K-K BK	
Q1-Q5	5232255620	DTR DTC114ESA	
Q6	5232255620	DTR DTC114ESA	
Q7	5232254720	DTR DTA114ESA	
R1,R2,R11	R0101341	RD, 1/4W 10KOHM J	
R12	R0101101	RD, 1/4W 1.0KOHM J	
R13	R0101121	RD, 1/4W 1.2KOHM J	
R14	R0101141	RD, 1/4W 1.5KOHM J	
R15	R0101181	RD, 1/4W 2.2KOHM J	
R16	R0101221	RD, 1/4W 3.3KOHM J	
R17-R19	R0100941	RD, 1/4W 220 OHM J	
R20	R0101461	RD, 1/4W 33KOHM J	
R22	R0101441	RD, 1/4W 27KOHM J	
R23	R0101501	RD, 1/4W 47KOHM J	
R24,R32	R0101341	RD, 1/4W 10KOHM J	
R25	R0100941	RD, 1/4W 220 OHM J	
R26	R0100941	RD, 1/4W 220 OHM J	
R27,R41	R0101341	RD, 1/4W 10KOHM J	
R28	R0100941	RD, 1/4W 220 OHM J	
R29	5242117400	JUMPER (INS) JPW-L5	
R33-R38	R0100781	RD, 1/4W 47 OHM J	
R39,R40	R0100701	RD, 1/4W 22 OHM J	
R3-R10	R0100781	RD, 1/4W 47 OHM J	
SW1-SW7	E0082440	SW,TACT SKHHDGA010	
U1	S00590600D	IC,MPU FRONT UX-3 V2.03	
U2	S0051434	IC,BR93L46RF-W	
U3	S0021414	IC,TC74VHCT04	
U4	S0018723	& IC,M66004FP	
U5	S0053230	IC,RPM7238-H91	
U6	S0051390	IC,NJU7223F33	
U7	S0047794	FC,TC74VHCT08AF	
U8	S0057054	IC,M62705ML GXX	
X1	E0022490	RESONATOR,EFO-EC5004A4	

PWRLED PCB ASSY

REF. NO.	PARTS No.	DESCRIPTION	REMARKS
	E95233800A	PCB ASSY,PWRLED UX-3	
	E90182000A	PCB,PWRLED	
D15,D16	S0052200	LED,SLR343BCT3F	
D24	S0052200	LED,SLR343BCT3F	
P9	5336249300	CONN PL B03B-PH-K-S W	
Q10	5232255620	DTR DTC114ESA	
R31	R0100941	RD, 1/4W 220 OHM J	

D-OUT PCB ASSY

REF. NO.	品目コード	品目テキスト	REMARKS
	E95182100A	PCB ASSY,D-OUT	
	E90182100B	PCB,D-OUT	
	M01650800A	WASHER,JACK BNC	
	M01650900A	NUT,JACK BNC	
	13180156	TERM (P-424)	
	5780202606	CCREW, FLAT M2.6X6	
C1001,C1003	5263167923	C, FILM 0.10UF 50V J VT	
C1002,C1007	C0007510	C, ELECT 16V 47UF M SA	
C1004	5260462220	C, ELECT 33UF 25V M AU VT	
C1005,C1006	5263167923	C, FILM 0.10UF 50V J VT	
C1008	5263167923	C, FILM 0.10UF 50V J VT	
J1002	E00856700A	JACK,RCA 1P ORG NICKING	
J1003	E00831900A	JACK,BNC GOLD	
P1003	5336249400	CONNECTORPLUG B04B-PH-K-S	
P1004	5336251200	CONN PL B02B-PH-K-R R	
R1001	R0100861	RD, 1/4W 100 OHM J	
R1002	R0100831	RD, 1/4W 75 OHM J	
T1001	5320046300	TRANS, PULSE TC-1027-04	
U1001	5220093600	IC DGTL TC74HCU04AF-TP2	
U1002-U1004	E0100982	FILTER,100PF	
U1005	E0110220	OPT CONN,GP1FA513TZ0F GZX	

POWER PCB ASSY

REF. NO.	PARTS No.	DESCRIPTION	REMARKS
	E95233200A	PCB ASSY,POWER UX-3	
	E95233220A	PCB ASSY,POWER UX-3 T/C	
	E95233250A	PCB ASSY,POWER UX-3 EUR	
	E90182300A	PCB,POWER	
C04-C07	C0044460	CQ,100V 0.012UF J DTG GZ0	
C08-C10	C0042640	CE, 25V 4700UF M HE	
C11,C12	C0040910	CE, 35V 3300UF M LXZ	
C14,C16	5263167923	C, FILM 0.10UF 50V J VT	
C17-C20	5260531420	CE, 100UF 20V M SA VT	
C21,C22	5263167923	C, FILM 0.10UF 50V J VT	
C23	C0040902	CQ, 100V 0.22UF J VT	
C24	5260463420	CE, 100UF 50V M AU VT	
C25,C26,C27	5260462920	CE, 47UF 50V M AU VT	
C28	5260463220	CE, 100UF 25V M AU VT	
C29	5260531420	CE, 100UF 20V M SA VT	
C30-C34	C0044460	CQ,100V 0.012UF J DTG GZ0	
C35-C38	C0040910	CE, 35V 3300UF M LXZ	
C39	5260466210	CE, 2200UF 25V M AU VF	
C40-C42	C0040910	CE, 35V 3300UF M LXZ	
C43-C46	5263167923	C, FILM 0.10UF 50V J VT	
C47-C49	5260531420	CE, 100UF 20V M SA VT	
C50	5260463220	CE, 100UF 25V M AU VT	
C51,C52	5263167923	C, FILM 0.10UF 50V J VT	
C53,C54	5260531420	CE, 100UF 20V M SA VT	
C56	5260461520	CE, 10UF 25V M AU VT	
C57-C66	5263167923	C, FILM 0.10UF 50V J VT	
C70-C79	5263167923	C, FILM 0.10UF 50V J VT	
D01-D08	S0059311	DIODE,21DQ10 GA0	
D09	S0048880	DIODE,D4SBS4	
D13-D16	S0059311	DIODE,21DQ10 GA0	
D17,D18	S0053220	DIODE,10EHA20	
D19	5224592821	ZENER DIO RD 33ESB1 FT	
D20	5224585621	ZENER DIO RD6.2ESB1 FT	
D21-D40	S0059311	DIODE,21DQ10 GA0	
F06	E0034560	CLIP FUSE,H0446	
F06,F09	E0077630	T-LAG FUSE,2.0A IEC	
F09,F10	E0034560	CLIP FUSE,H0446	
F10	E0077850	T-LAG FUSE,4.0A UL 125V	DM
F10	E0077660	T-LAG FUSE,4.0A IEC	EXP
F11,F12	E0034560	CLIP FUSE,H0446	
F11,F12	E0077630	T-LAG FUSE,2.0A IEC	
P06	5336304400	CONN PL B14B-EH W	
P07	5336249700	CONN PL B07B-PH-K-S W	
P08	5336253700	CONN PL B07B-PH-K-Y	
P09	5336304300	CONN PL B13B-EH W	
P10	5336303200	CONN PL B2B-EH W	
P11	5336303300	CONN PL B3B-EH W	
P12	5336307300	CONN PL B3B-EH-Y Y	
P13	5336249800	CONN PL B08B-PH-K-S W	
P14	5336303400	CONN PL B4B-EH W	
P15	5336305400	CONN PL B4B-EH-R R	
P17	5336249200	CONN PL B02B-PH-K-S W	
Q01	5230509100	TR 2SB562 C	
R03,R04	R0101341	RD, 1/4W 10KOHM J	
R05	R0101141	RD, 1/4W 1.5KOHM J	
R06	R0101321	RD, 1/4W 8.2KOHM J	
R09-R11	R0101341	RD, 1/4W 10KOHM J	
T-POWER HEATS	B00170508A	SCREW,VPC 3*8 FZB G	
U02	S0053740	IC,BA08T	
U02,U04,U05	M00350800B	HEATSINK,OSH-2435-SFL	
U04,U10	S0060430	IC,PQ12RF11J00H GZX	
U05	S0060420	IC,PQ05RF11J00H GZX	
U06	S0018843	& IC,PQ05RR1	
U07	S0053810	IC,BA15T	
U07,U08	M00350800B	HEATSINK,OSH-2435-SFL	
U08	13447974	IC LIN NJM7915FA	
U09	S0060410	IC,PQ30RV21J00H GZX	
U09,U11,U12	M00350800B	HEATSINK,OSH-2435-SFL	
U11	13447971	IC LIN NJM7908FA	
U12	13447954	IC LIN NJM7808FA	
W10-W13	5242117400	JUMPER (INS) JPW-L5	
W18,W19	5242117400	JUMPER (INS) JPW-L5	

REG PCB ASSY

REF. NO.	PARTS No.	DESCRIPTION	REMARKS
	E95182400A	PCB ASSY,REG	
	E90182400A	PCB,REG	
C13,C15	5263167923	C, FILM 0.10UF 50V J VT	
C68,C69	5263167923	C, FILM 0.10UF 50V J VT	
P16	5336303800	CONN PL B03B-PH-K-S WHT	
R01	R0101181	RD, 1/4W 2.2KOHM J	
R02	R0101301	RD, 1/4W 6.8KOHM J	
U01	S0060420	IC,PQ05RF11J00H GZX	
U03	S0060410	IC,PQ30RV21J00H GZX	

PSW PCB ASSY

REF. NO.	品目コード	品目テキスト	REMARKS
	E95232400A	PCB ASSY,PSW UX-3	
	E95232420A	PCB ASSY,PSW UX-3 T/C	
	E95232450A	PCB ASSY,PSW UX-3 EUR	
	E90182500B	PCB,PSW	
C01	E0066080	SPK KILLER,0.0047UF250V	
L01	5292806300	FILTER, FKOB16MH13	
P01	5336376200	CONN PLUG B2P3-VH	
P02,P03	5336374600	CONN PLUG B6P-VH	
SW1	E0085700	SW,PUSH SDKLA10300	
W01	5181763000	JUMPER P=10.0	100V
W02	5181763000	JUMPER P=10.0	120V
W03	5181763000	JUMPER P=10.0	230V

INLET PCB ASSY

REF. NO.	品目コード	品目テキスト	REMARKS
	E95232500A	PCB ASSY,INLET UX-3	
	E90182600B	PCB,INLET	
	M01646300A	BRACKET,AC IN G-0	
J01	E0036070	CONNECTOR,M1908-B	
J02	5336376200	CONN PLUG B2P3-VH	

VIDEO PCB ASSY

REF. NO.	PARTS No.	DESCRIPTION	REMARKS
	E95233900A	PCB ASSY,VIDEO UX-3	
	E90183100B	PCB,VIDEO	
	M01650800A	WASHER,JACK BNC	
	M01650900A	NUT,JACK BNC	
C101-C104	12911308	CAPACITOR CC25V F0.10UF Z	
C201,C204	C0025384	CE, 16V 100UF M	
C202,C203	12911308	CAPACITOR CC25V F0.10UF Z	
C205,C206	12911308	CAPACITOR CC25V F0.10UF Z	
C207,C516	C0025384	CE, 16V 100UF M	
C211,C252	C0037294	CS, 6.3V 47UF M 3528	
C212-C219	12911308	CAPACITOR CC25V F0.10UF Z	
C251,C253	12911308	CAPACITOR CC25V F0.10UF Z	
C254-C257	12911308	CAPACITOR CC25V F0.10UF Z	
C258,C271	C0037294	CS, 6.3V 47UF M 3528	
C259-C266	12911308	CAPACITOR CC25V F0.10UF Z	
C268,C267	C0001434	CC,CH 50V 22PF J 1608	
C269,C270	12911308	CAPACITOR CC25V F0.10UF Z	
C272-C282	12911308	CAPACITOR CC25V F0.10UF Z	
C285,C521	12911308	CAPACITOR CC25V F0.10UF Z	
C301	C0016324	CE,50V 1.0UF M D4	
C307,C351	12911308	CAPACITOR CC25V F0.10UF Z	
C352,C357	C0037294	CS, 6.3V 47UF M 3528	
C353,C356	12911308	CAPACITOR CC25V F0.10UF Z	
C354,C355	C0001674	CC,CH 50V 220PF J 1608	
C358,C360	12911308	CAPACITOR CC25V F0.10UF Z	
C359,C362	C0001674	CC,CH 50V 220PF J 1608	
C361,C365	12911308	CAPACITOR CC25V F0.10UF Z	
C363,C369	C0037294	CS, 6.3V 47UF M 3528	
C364,C366	C0001674	CC,CH 50V 220PF J 1608	
C367	C0001674	CC,CH 50V 220PF J 1608	
C368,C370	12911308	CAPACITOR CC25V F0.10UF Z	
C371,C401	12911308	CAPACITOR CC25V F0.10UF Z	
C372,C616	C0030704	CE, 16V 47UF M ECEV	
C402,C502	C0037294	CS, 6.3V 47UF M 3528	
C402-C934	E01030900A	WIRE,VIDEO GND EUR UX-1	
C403-C405	12911308	CAPACITOR CC25V F0.10UF Z	
C408,C409	12911308	CAPACITOR CC25V F0.10UF Z	
C501	C0040520	CE, 6.3V 1000UF M MV-AX	
C503	C0001754	CC,CH 50V 470PF J 1608	
C504,C506	12911308	CAPACITOR CC25V F0.10UF Z	
C505	C0010804	CE, 16V 22UF M	
C507,C508	12911308	CAPACITOR CC25V F0.10UF Z	
C509	C0037294	CS, 6.3V 47UF M 3528	
C510,C513	12911308	CAPACITOR CC25V F0.10UF Z	
C511	C0001814	CC,CH 25V 820PF J 1608	
C512	C0014884	CC,JB 50V 3900PF C 1608	
C514,C515	12911308	CAPACITOR CC25V F0.10UF Z	
C518	12911308	CAPACITOR CC25V F0.10UF Z	
C601,C653	C0035340	CE, 16V 100UF M SA	
C609,C614	12911308	CAPACITOR CC25V F0.10UF Z	
C611,C621	C0001374	CC,CH 50V 12PF J 1608	
C612,C622	C0001414	CC,CH 50V 18PF J 1608	
C613,C623	C0001474	CC,CH 50V 33PF J 1608	
C615,C625	C0042624	CQ, 16V 0.1UF M ECPU	
C624,C634	12911308	CAPACITOR CC25V F0.10UF Z	
C631	C0001374	CC,CH 50V 12PF J 1608	
C632,C715	C0001414	CC,CH 50V 18PF J 1608	
C633,C716	C0001474	CC,CH 50V 33PF J 1608	
C635,C658	C0042624	CQ, 16V 0.1UF M ECPU	
C636,C651	C0030704	CE, 16V 47UF M ECEV	
C641,C643	C0025384	CE, 16V 100UF M	
C644,C648	12911308	CAPACITOR CC25V F0.10UF Z	
C645,C647	C0025384	CE, 16V 100UF M	
C649	C0025384	CE, 16V 100UF M	
C652	C0030704	CE, 16V 47UF M ECEV	
C654-C656	12911308	CAPACITOR CC25V F0.10UF Z	
C657,C661	C0041042	CE, 10V 1200UF M MV-AX	
C659,C660	C0042624	CQ, 16V 0.1UF M ECPU	
C711,C731	C0001354	CC,CH 50V 10PF J 1608	
C712,C713	12911308	CAPACITOR CC25V F0.10UF Z	

VIDEO PCB ASSY

REF. NO.	PARTS No.	DESCRIPTION	REMARKS
C718,C719	12911308	CAPACITOR CC25V F0.10UF Z	
C720,C740	C0042624	CQ, 16V 0.1UF M ECPU	
C721,C741	C0042610	CE, 10V 100UF M MV-AX	
C722,C723	12911308	CAPACITOR CC25V F0.10UF Z	
C724,C725	C0040520	CE, 6.3V 1000UF M MV-AX	
C726,C727	C0037294	CS, 6.3V 47UF M 3528	
C732,C733	12911308	CAPACITOR CC25V F0.10UF Z	
C735,C755	C0001414	CC,CH 50V 18PF J 1608	
C736,C756	C0001474	CC,CH 50V 33PF J 1608	
C738,C739	12911308	CAPACITOR CC25V F0.10UF Z	
C742,C743	12911308	CAPACITOR CC25V F0.10UF Z	
C744,C745	C0040520	CE, 6.3V 1000UF M MV-AX	
C746,C747	C0037294	CS, 6.3V 47UF M 3528	
C751	C0001354	CC,CH 50V 10PF J 1608	
C752,C753	12911308	CAPACITOR CC25V F0.10UF Z	
C758,C759	12911308	CAPACITOR CC25V F0.10UF Z	
C760	C0042624	CQ, 16V 0.1UF M ECPU	
C761	C0042610	CE, 10V 100UF M MV-AX	
C762,C763	12911308	CAPACITOR CC25V F0.10UF Z	
C764,C765	C0040520	CE, 6.3V 1000UF M MV-AX	
C766,C767	C0037294	CS, 6.3V 47UF M 3528	
C901	C0007914	CC, B 16V 0.10UF K 1608	
D101-D103	S0051074	DIODE,RB520S-30	
D251	S0044264	LED,SML-310LT	
D301,D302	S0051074	DIODE,RB520S-30	
D306	S0051074	DIODE,RB520S-30	
D351	S0059304	DIODE,EC10LA03 GA0	
D501	S0060254	IC,AD1580ARTZ-REEL7 GAX	
J101,J402	E0074674	CONNECTOR,40FLT-SM1-TB	
J102	E0086324	CONNECTOR,22FLT-SM1-TB	
J103	5336249400	CONNECTORPLUG B04B-PH-K-S	
J301	E0085664	CONNECTOR,10FLT-SM1-TB	
J351	E0082990	CONNECTOR,DVI DV2R024N11	
J351(DVI)-GND	5242128000	JUMPER (MANUAL INS) L=5	
J601	5336249800	CONN PL B08B-PH-K-S W	
J602	5336249200	CONN PL B02B-PH-K-S W	
J651	E0086330	JACK,YKC22-0530	
J651(S)-GND	5242128000	JUMPER (MANUAL INS) L=5	
J701	E00831900A	JACK,BNC GOLD	
J702	E00831900A	JACK,BNC GOLD	
J703	E00831900A	JACK,BNC GOLD	
J705	E0074650	JACK,YKF45-3007	
JP201	E0079500	JUMPER WIRE,JR-1 (L=2.54)	
L201	E0075424	COIL,FSLB2520-4R7M GAX	
L251-L253	E0075424	COIL,FSLB2520-4R7M GAX	
L351-L355	E0075424	COIL,FSLB2520-4R7M GAX	
L401	E0075424	COIL,FSLB2520-4R7M GAX	
L501-L504	E0075424	COIL,FSLB2520-4R7M GAX	
L601,L651	E0075424	COIL,FSLB2520-4R7M GAX	
L612,L622	E0086374	COIL,NLV25T-2R2J-PF	
L632	E0086374	COIL,NLV25T-2R2J-PF	
L711,L731	E0086344	COIL,NLV25T-R33J-PF	
L712,L732	E0086354	COIL,NLV25T-1R5J-PF	
L713,L714	E0075424	COIL,FSLB2520-4R7M GAX	
L733,L734	E0075424	COIL,FSLB2520-4R7M GAX	
L751	E0086344	COIL,NLV25T-R33J-PF	
L752	E0086354	COIL,NLV25T-1R5J-PF	
L753,L754	E0075424	COIL,FSLB2520-4R7M GAX	
Q301	S0036084	TRANSISTOR,DTC114YKA	
Q302,Q303	S0040074	FET,2SK3018	
Q351	13427500	XSTR 2SC2412K R,S	
Q601,Q602	S0036084	TRANSISTOR,DTC114YKA	
Q611,Q621	S0028584	TRANSISTOR,2SA1037AK	
Q631,Q651	S0028584	TRANSISTOR,2SA1037AK	
Q711,Q731	S0028584	TRANSISTOR,2SA1037AK	
Q751	S0028584	TRANSISTOR,2SA1037AK	
R101	R0067304	RES ARRAY,1/16W 4*10K J	
R103,R104	11986556	RESISTOR RD 1/16W 10K J	
R108,R116	11986532	RESISTOR RD 1/16W 1.0K J	
R109,R114	11986556	RESISTOR RD 1/16W 10K J	

VIDEO PCB ASSY

REF. NO.	PARTS No.	DESCRIPTION	REMARKS
R111-R113	11986496	RESISTOR RD 1/16W 33 J	
R115,R118	11986496	RESISTOR RD 1/16W 33 J	
R117,R269	11986532	RESISTOR RD 1/16W 1.0K J	
R119,R232	11986556	RESISTOR RD 1/16W 10K J	
R121,R234	11986496	RESISTOR RD 1/16W 33 J	
R151-R153	R0066704	RES ARRAY,1/16W 4*33 J	
R171,R172	R0066704	RES ARRAY,1/16W 4*33 J	
R201-R212	R0066704	RES ARRAY,1/16W 4*33 J	
R222-R228	R0066704	RES ARRAY,1/16W 4*33 J	
R231	R0015374	RD,1/16W 22 OHM J	
R237	11986496	RESISTOR RD 1/16W 33 J	
R268	11986596	RES RD 1/16W 470KOHM 5%	
R270,R513	11986536	RESISTOR RD 1/16W 1.5K J	
R271,R355	11986556	RESISTOR RD 1/16W 10K J	
R274,R276	R0015164	RD,CHIP JUMPER (1608)	
R281,R502	R0015164	RD,CHIP JUMPER (1608)	
R303,R357	11986572	RES RD 1/16W 47KOHM 5%	
R305	11986548	RESISTOR RD 1/16W 4.7K J	
R306	11986548	RESISTOR RD 1/16W 4.7K J	
R313-R316	11986548	RESISTOR RD 1/16W 4.7K J	
R351,R506	11986540	RESISTOR RD 1/16W 2.2K J	
R352	11986525	RESISTOR RD 1/16W 510 J	
R353	11986548	RESISTOR RD 1/16W 4.7K J	
R354	11986532	RESISTOR RD 1/16W 1.0K J	
R356,R401	11986556	RESISTOR RD 1/16W 10K J	
R402,R404	11986556	RESISTOR RD 1/16W 10K J	
R403	R0015164	RD,CHIP JUMPER (1608)	
R405,R406	11986556	RESISTOR RD 1/16W 10K J	
R504,R508	R0015164	RD,CHIP JUMPER (1608)	
R507	11986540	RESISTOR RD 1/16W 2.2K J	
R509,R517	R0015164	RD,CHIP JUMPER (1608)	
R510,R511	11986532	RESISTOR RD 1/16W 1.0K J	
R512,R514	11986556	RESISTOR RD 1/16W 10K J	
R515	R0129314	RD,1/16W 680 OHM D 1608	
R516,R522	R0129464	RD,1/16W 3.0KOHM D 1608	
R523	R0129084	RD,1/16W 75 OHM D 1608	
R601,R615	11986536	RESISTOR RD 1/16W 1.5K J	
R611,R612	R0129274	RD,1/16W 470 OHM D 1608	
R613	R0015164	RD,CHIP JUMPER (1608)	
R614,R624	11986496	RESISTOR RD 1/16W 33 J	
R621,R622	R0129274	RD,1/16W 470 OHM D 1608	
R623,R633	R0015164	RD,CHIP JUMPER (1608)	
R631,R632	R0129274	RD,1/16W 470 OHM D 1608	
R634,R718	11986496	RESISTOR RD 1/16W 33 J	
R635,R625	11986536	RESISTOR RD 1/16W 1.5K J	
R650	R0015164	RD,CHIP JUMPER (1608)	
R653	11986549	RESISTOR RD 1/16W 5.1K J	
R654-R656	R0129064	RD,1/16W 62 OHM D 1608	
R657,R702	11986556	RESISTOR RD 1/16W 10K J	
R658-R660	11986588	RESISTOR RD 1/16W 220K J	
R703,R716	11986556	RESISTOR RD 1/16W 10K J	
R710,R730	11986546	RESISTOR RD 1/16W 3.9K J	
R711,R715	R0129194	RD,1/16W 220 OHM D 1608	
R712,R721	R0015164	RD,CHIP JUMPER (1608)	
R714,R724	R0129274	RD,1/16W 470 OHM D 1608	
R717,R731	R0129194	RD,1/16W 220 OHM D 1608	
R720,R740	11986534	RESISTOR RD 1/16W 1.2K J	
R723,R736	11986556	RESISTOR RD 1/16W 10K J	
R725,R734	R0129274	RD,1/16W 470 OHM D 1608	
R726,R727	R0129084	RD,1/16W 75 OHM D 1608	
R732,R741	R0015164	RD,CHIP JUMPER (1608)	
R735,R737	R0129194	RD,1/16W 220 OHM D 1608	
R738,R758	11986496	RESISTOR RD 1/16W 33 J	
R743,R756	11986556	RESISTOR RD 1/16W 10K J	
R744,R745	R0129274	RD,1/16W 470 OHM D 1608	
R746,R747	R0129084	RD,1/16W 75 OHM D 1608	
R750	11986546	RESISTOR RD 1/16W 3.9K J	
R751,R755	R0129194	RD,1/16W 220 OHM D 1608	
R752,R761	R0015164	RD,CHIP JUMPER (1608)	
R754,R764	R0129274	RD,1/16W 470 OHM D 1608	

VIDEO PCB ASSY

REF. NO.	PARTS No.	DESCRIPTION	REMARKS
R757	R0129194	RD,1/16W 220 OHM D 1608	
R760	11986534	RESISTOR RD 1/16W 1.2K J	
R763	11986556	RESISTOR RD 1/16W 10K J	
R765	R0129274	RD,1/16W 470 OHM D 1608	
R766,R767	R0129084	RD,1/16W 75 OHM D 1608	
U101	S0053294	IC,SN74LVC1G125DCKR	
U102,U103	S0053314	IC,SN74LVC245APWR	
U201	S0060310	IC,PQ3RF33J GZ0	
U201,U202	M0172660	HEATSINK,PSH-0916-L25-WFL	
U202	S0060320	IC,PQ018EF01SZH GZ0	
U203	S0059933	IC,HY57V643220DTP-6 GSX	
U251	M02010100A	SHEET,EWA T2 20*20	
U251	S0053393	IC,FLI2310-LF-BD	
U252	S0053294	IC,SN74LVC1G125DCKR	
U351	S0051093	IC,SII170BCL64	
U351,U501	M02099000A	SHEET,EWA T2 8*8	
U401,U402	S0049593	IC,TC74VHC574FT TSSOP	
U403	S0049593	IC,TC74VHC574FT TSSOP	
U406	S0053304	IC,SN74LVC2G125DCTR	
U407	S0049493	IC,TC74VHC541FT TSSOP	
U501	S0053373	IC,ADV7314KST	
U502	S0060330	IC,PQ025EF01SZH GZ0	
U502,U601	M0172660	HEATSINK,PSH-0916-L25-WFL	
U601	S0060420	IC,PQ05RF11J00H GZX	
U602	S0060074	IC,NJM79M05DL1A(Te1)GA0	
U651	S0048854	IC,LA7138M-TLM	
U711,U731	S0060234	IC,AD8021ARZ-REEL7 GAX	
U712,U732	S0060244	IC,AD8055ARZ-REEL7 GAX	
U751	S0060234	IC,AD8021ARZ-REEL7 GAX	
U752	S0060244	IC,AD8055ARZ-REEL7 GAX	
VIDEO UX-1	5780202606	FLAT M2.6X6	
X251	E0086384	RESONATOR,LIM55A-T13.5MHZ	

DAC PCB ASSY

REF. NO.	PARTS No.	DESCRIPTION	REMARKS
	E95223800A	PCB ASSY,DAC UX-3	
	E95223810A	PCB ASSY,DAC EXP UX-3	
	E90180900E	PCB,DAC 2CH	
	S0053213	IC,XC9536XL-10 VQ44	
	5780202606	FLAT M2.6X6	
	5730039201	HTSK,OSH-2425-SFL	
	B00132901A	SCREW,VPC 3*8FZC	
C1005,C1007	C0007914	CC, B 16V 0.10UF K 1608	
C1006,C1016	C0036174	CE, 10V 33UF M SVP	
C1008	C0036264	CE, 10V 47UF M SVP	
C1009,C1011	C0007914	CC, B 16V 0.10UF K 1608	
C1010,C1012	C0036264	CE, 10V 47UF M SVP	
C1013,C1015	C0007914	CC, B 16V 0.10UF K 1608	
C1014,C1020	C0036264	CE, 10V 47UF M SVP	
C1017-C1019	C0007914	CC, B 16V 0.10UF K 1608	
C1021	C0007914	CC, B 16V 0.10UF K 1608	
C1022	C0036174	CE, 10V 33UF M SVP	
C1024	C0036264	CE, 10V 47UF M SVP	
C1101,C1103	5263167923	C, FILM 0.10UF 50V J VT	
C1102,C1104	C0007510	CE, 16V 47UF M SA	
C1105,C1110	5263167923	C, FILM 0.10UF 50V J VT	
C1106,C1111	C0007510	CE, 16V 47UF M SA	
C1107-C1109	C0042652	CE, 16V 100UF M LXZ	
C1112,C1114	5263167923	C, FILM 0.10UF 50V J VT	
C1113,C1115	C0007510	CE, 16V 47UF M SA	
C1116,C1121	5263167923	C, FILM 0.10UF 50V J VT	
C1117,C1122	C0007510	CE, 16V 47UF M SA	
C1118-C1120	C0042652	CE, 16V 100UF M LXZ	
C1123,C1125	5263167923	C, FILM 0.10UF 50V J VT	
C1124,C1126	C0035340	CE, 16V 100UF M SA	
C1127,C1227	C0044250	CQ,630V 100PF J DTG GZ0	
C1128,C1130	5263167923	C, FILM 0.10UF 50V J VT	
C1129,C1131	5260473420	CE, 100UF 25V M PZ VT	
C1132,C1232	5263312920	C, FILM 0.0010UF 50V J VT	
C1133,C1233	5263311220	CQ, 50V 200PF J VT	
C1134,C1136	5263167923	C, FILM 0.10UF 50V J VT	
C1135,C1137	C0035340	CE, 16V 100UF M SA	
C1138,C1238	5263315320	C, FILM 0.010UF 50V J VT	
C1139,C1239	C0035340	CE, 16V 100UF M SA	
C1140	5263310520	C, FILM 100PF 50V J VT	
C1141,C1143	5263167923	C, FILM 0.10UF 50V J VT	
C1142,C1144	C0035340	CE, 16V 100UF M SA	
C1145,C1146	5263310520	C, FILM 100PF 50V J VT	
C1201,C1203	5263167923	C, FILM 0.10UF 50V J VT	
C1202,C1204	C0007510	CE, 16V 47UF M SA	
C1205,C1210	5263167923	C, FILM 0.10UF 50V J VT	
C1206,C1211	C0007510	CE, 16V 47UF M SA	
C1207-C1209	C0042652	CE, 16V 100UF M LXZ	
C1212,C1214	5263167923	C, FILM 0.10UF 50V J VT	
C1213,C1215	C0007510	CE, 16V 47UF M SA	
C1216,C1221	5263167923	C, FILM 0.10UF 50V J VT	
C1217,C1222	C0007510	CE, 16V 47UF M SA	
C1218-C1220	C0042652	CE, 16V 100UF M LXZ	
C1223,C1225	5263167923	C, FILM 0.10UF 50V J VT	
C1224,C1226	C0035340	CE, 16V 100UF M SA	
C1228,C1230	5263167923	C, FILM 0.10UF 50V J VT	
C1229,C1231	5260473420	CE, 100UF 25V M PZ VT	
C1234,C1236	5263167923	C, FILM 0.10UF 50V J VT	
C1235,C1237	C0035340	CE, 16V 100UF M SA	
C1240	5263310520	C, FILM 100PF 50V J VT	
C1241,C1243	5263167923	C, FILM 0.10UF 50V J VT	
C1242,C1244	C0035340	CE, 16V 100UF M SA	
C1245,C1246	5263310520	C, FILM 100PF 50V J VT	
C1301,C1303	5263167923	C, FILM 0.10UF 50V J VT	
C1302	5260531420	CE, 100UF 20V M SA VT	
C1304	C0042200	CE, 25V 100UF M KZ	
C1307,C1308	5263167923	C, FILM 0.10UF 50V J VT	
C1309,C1310	5260531420	CE, 100UF 20V M SA VT	
C1311-C1314	5263167923	C, FILM 0.10UF 50V J VT	
C1315,C1316	5260485000	CE, 1000MF 16V ASF VE	

DAC PCB ASSY

REF. NO.	PARTS No.	DESCRIPTION	REMARKS
C1317,C1318	5263167923	C, FILM 0.10UF 50V J VT	
C1319	5181761000	JUMPER P=5.0	
C1320	5242117400	JUMPER (INS) JPW-L5	
C1321,C1322	5263167923	C, FILM 0.10UF 50V J VT	DM
C1321,C1322	5181761000	JUMPER L=5.0	EXP
C1323	5263315320	C, FILM 0.010UF 50V J VT	
C1501	C0007914	CC, B 16V 0.10UF K 1608	
C1502	C0036264	CE, 10V 47UF M SVP	
C1508,C1511	C0007914	CC, B 16V 0.10UF K 1608	
C1509,C1512	C0007510	CE, 16V 47UF M SA	
C1510	C0040464	CC,CH 50V 1000PF J 1608	
C1513,C1519	C0038234	CC, B 10V 1.0UF K 1608	
C1514	C0004064	CC,CH 50V 100PF J 1608	
C1515,C1517	C0007914	CC, B 16V 0.10UF K 1608	
C1516,C1532	C0036174	CE, 10V 33UF M SVP	
C1518,C1526	C0036264	CE, 10V 47UF M SVP	
C1520,C1523	C0002244	CC, B 50V 0.010UF K 1608	
C1521,C1524	C0035340	CE, 16V 100UF M SA	
C1522	C0038234	CC, B 10V 1.0UF K 1608	
C1525,C1527	C0007914	CC, B 16V 0.10UF K 1608	
C1528,C1530	C0036264	CE, 10V 47UF M SVP	
C1529,C1531	C0007914	CC, B 16V 0.10UF K 1608	
C1533,C1535	C0007914	CC, B 16V 0.10UF K 1608	
C1534	C0036264	CE, 10V 47UF M SVP	
C1536,C1538	C0036264	CE, 10V 47UF M SVP	
C1537	C0007914	CC, B 16V 0.10UF K 1608	
C1601,C1603	5263167923	C, FILM 0.10UF 50V J VT	
C1602	5260531420	CE, 100UF 20V M SA VT	
C1604	5260485000	CE, 1000MF 16V ASF VE	
C1605	5263167923	C, FILM 0.10UF 50V J VT	
D1101,D1102	5224016420	DIO S5688G TAPING	
D1201,D1202	5224016420	DIO S5688G TAPING	
D1301-D1304	S0059291	DIODE,21DQ04 GA0	
J1101	E00353701A	JACK,RCA 1P WHITE NICKING	
J1102,J1202	E0110250	CONNECTOR,XLM-3-32PCV-F G	
J1201	E00353801A	JACK,RCA 1P RED NICKING	
K1101,K1102	5290015600	RLY A-12W-K	
K1201,K1202	5290015600	RLY A-12W-K	
L1301-L1303	5286033920	CHC 10UH K(LAP2T)VT	
L1501,L1603	5286033920	CHC 10UH K(LAP2T)VT	
L1502	5286033920	CHC 10UH K(LAP2T)VT	
L1601,L1602	5286033920	CHC 10UH K(LAP2T)VT	
L1604,L1605	5286033920	CHC 10UH K(LAP2T)VT	
P1001	E0074674	CONNECTOR,40FLT-SM1-TB	
P1003	E0074663	CONNECTOR,15FMN-BTK-A	
P1005	5336249300	CONN PL B03B-PH-K-S W	
P1301,P1304	5336303200	CONN PL B2B-EH W	
P1302,P1305	5336303300	CONN PL B3B-EH W	
P1303,P1306	5336307300	CONN PL B3B-EH-Y Y	
P1501	5336251200	CONN PL B02B-PH-K-R R	
P1502	5336250000	CONN PL B10B-PH-K-S W	
P1503	5336249200	CONN PL B02B-PH-K-S W	
P1505	5336249600	CONN PL B06B-PH-K-S W	
Q1101,Q1102	5232255620	DTR DTC114ESA	
Q1201,Q1202	5232255620	DTR DTC114ESA	
Q1601,Q1603	S0057224	FET,MCH3306-TL-E GXX	
Q1602,Q1604	S0022044	TRANSISTOR,DTC114EUA-T106	
R1001-R1003	R0015454	RD,1/16W 47 OHM J	
R1028-R1031	R0015454	RD,1/16W 47 OHM J	
R1032,R1045	11986738	CHIP JUMPER (1.6*0.8)	
R1033,R1034	11986493	RES RD 1/16W 24OHM 5%	
R1036	11986493	RES RD 1/16W 24OHM 5%	
R1037	R0016174	RD,1/16W 47KOHM J	
R1038	11986499	RES RD 1/16W 43OHM 5%	
R1039,R1041	R0132464	RD,1/16W 47 OHM G 1608A	DM
R1039,R1041	R0015534	RD,1/16W 100 OHM J	EXP
R1040,R1043	R0132464	RD,1/16W 47 OHM G 1608A	
R1042	R0132464	RD,1/16W 47 OHM G 1608A	DM
R1042	R0015534	RD,1/16W 100 OHM J	EXP
R1046,R1047	R0015454	RD,1/16W 47 OHM J	

DAC PCB ASSY

REF. NO.	PARTS No.	DESCRIPTION	REMARKS
R1050,R1051	R0016174	RD,1/16W 47KOHM J	
R1052-R1055	11986738	CHIP JUMPER (1.6*0.8)	
R1101,R1102	R0100461	RD, 1/4W 2.2 OHM J	
R1103,R1203	R0108681	RN, 1/4W 1.5KOHM F L=10	
R1104,R1105	R0100461	RD, 1/4W 2.2 OHM J	
R1106-R1108	R0108801	RN, 1/4W 4.7KOHM F L=10	
R1109,R1110	R0100461	RD, 1/4W 2.2 OHM J	
R1111-R1114	R0108871	RN, 1/4W 9.1KOHM F L=10	
R1115	R0108481	RN, 1/4W 220 OHM F L=10	
R1117,R1118	5286033920	CHC 10UH K(LAP2T)VT	
R1119-R1122	R0108871	RN, 1/4W 9.1KOHM F L=10	
R1123,R1129	R0108511	RN, 1/4W 300 OHM F L=10	
R1125-R1128	R0108871	RN, 1/4W 9.1KOHM F L=10	
R1131,R1231	R0109041	RN, 1/4W 47KOHM F L=10	
R1201,R1202	R0100461	RD, 1/4W 2.2 OHM J	
R1204,R1205	R0100461	RD, 1/4W 2.2 OHM J	
R1206-R1208	R0108801	RN, 1/4W 4.7KOHM F L=10	
R1209,R1210	R0100461	RD, 1/4W 2.2 OHM J	
R1211-R1214	R0108871	RN, 1/4W 9.1KOHM F L=10	
R1215	R0108481	RN, 1/4W 220 OHM F L=10	
R1217,R1218	5286033920	CHC 10UH K(LAP2T)VT	
R1219-R1222	R0108871	RN, 1/4W 9.1KOHM F L=10	
R1223,R1229	R0108511	RN, 1/4W 300 OHM F L=10	
R1225-R1228	R0108871	RN, 1/4W 9.1KOHM F L=10	
R1501,R1502	R0015574	RD,1/16W 150 OHM J	
R1504	R0015454	RD,1/16W 47 OHM J	
R1508,R1526	R0015454	RD,1/16W 47 OHM J	
R1510	R0015454	RD,1/16W 47 OHM J	
R1511,R1512	R0015534	RD,1/16W 100 OHM J	
R1513	R0016114	RD,1/16W 27KOHM J	
R1514,R1515	R0129354	RD,1/16W 1.0KOHM D 1608	
R1516,R1517	R0015774	RD,1/16W 1.0KOHM J	
R1518	R0132464	RD,1/16W 47 OHM G 1608A	
R1519	R0015534	RD,1/16W 100 OHM J	
R1520,R1522	R0132464	RD,1/16W 47 OHM G 1608A	
R1521,R1523	R0016174	RD,1/16W 47KOHM J	
R1527	R0016014	RD,1/16W 10KOHM J	
R1528,R1529	R0015774	RD,1/16W 1.0KOHM J	
R1530-R1532	R0016014	RD,1/16W 10KOHM J	
R1533,R1534	R0016174	RD,1/16W 47KOHM J	
R1601,R1603	11986580	RESISTOR RD 1/16W 100K J	
R1602,R1604	11986524	RESISTOR RD 1/16W 470 J	
U1002,U1005	S0053144	IC,TC74VHC157FT	
U1003	S0053193	IC,SM5847AF	
U1004,U1510	S0053204	IC,BU2288FV-E2	
U1006	S0053154	IC,TC74VHC04FT	
U1007	S0053164	IC,TC74VHCT08AFT	
U1008	S0051944	IC,TC74VHC74FT	
U1009	S0053164	IC,TC74VHCT08AFT	
U1101,U1102	S0037410	IC,PCM1704U	
U1103,U1104	S0060214	IC,AD825ARZ-REEL7 GAX	
U1105,U1205	S0058820	IC,OP42GP	
U1106,U1206	S0049770	IC,LM6172IN	
U1201,U1202	S0037410	IC,PCM1704U	
U1203,U1204	S0060214	IC,AD825ARZ-REEL7 GAX	
U1301,U1304	13447952	IC LIN NJM7805FA	
U1302,U1602	S0051390	IC,NJU7223F33	
U1305	13447969	IC LIN NJM7905FA	
U1306	13447956	IC LIN NJM7812FA	
U1307	13447973	IC LIN NJM7912FA	
U1501	S0053114	IC,TC7SET08F	
U1505	5220123500	IC DGTL MC74HC4046AFEL G	
U1506	S0053134	IC,TC7WHU04FU	
U1507	S0034844	IC,TC74HC4053AFT(EL)	
U1508	E0085634	VCXO,COC22AXT 25.92MHZ	
U1509	E0085624	VCXO,COC22AXT 27MHZ	
U1511	S0053174	IC,TC74VHC86FT	
U1512	S00539000B	IC,WORD PLL V1.10	
U1601	13447952	IC LIN NJM7805FA	

DAC PCB ASSY

REF. NO.	PARTS No.	DESCRIPTION	REMARKS
W1005,W1008	5242117400	JUMPER (INS) JPW-L5	
W1010	5242117400	JUMPER (INS) JPW-L5	
W1104,W1106	5242117400	JUMPER (INS) JPW-L5	
W1108	5242117400	JUMPER (INS) JPW-L5	
W1204,W1206	5242117400	JUMPER (INS) JPW-L5	
W1208	5242117400	JUMPER (INS) JPW-L5	
W1301	5242117400	JUMPER (INS) JPW-L5	
W1601	5242117400	JUMPER (INS) JPW-L5	

1394 BVF PCB ASSY

REF. NO.	PARTS No.	DESCRIPTION	REMARKS
	E95229900A	PCB ASSY,1394 BVF	
	E90229900A	PCB,1394 BVF	
	M02009600A	HEATSINK,1394 UX3	
HEATSINK	B00171412A	SCREW,BPA 3*12 FZB G	
HEATSINK	M0126810	NUT,ST1 A M3 6 S NI	
C1012	12911308	CAPACITOR CC25V F0.10UF Z	
C1013,C1014	12911308	CAPACITOR CC25V F0.10UF Z	
C1016,C1017	12910307	CAP CC50V B10000PF K	
C1020	C0001674	CC,CH 50V 220PF J 1608	
C1022,C1308	C0037404	CC, B 16V 1UF M	
C1026,C1030	C0037294	CS, 6.3V 47UF M 3528	
C1027,C1028	12911308	CAPACITOR CC25V F0.10UF Z	
C1029,C1031	12911308	CAPACITOR CC25V F0.10UF Z	
C1032,C1042	C0040464	CC,CH 50V 1000PF J 1608	
C1033,C1034	C0001394	CC,CH 50V 15PF J 1608	
C1035,C1041	12911308	CAPACITOR CC25V F0.10UF Z	
C1043,C1045	12911308	CAPACITOR CC25V F0.10UF Z	
C1044,C1046	C0040464	CC,CH 50V 1000PF J 1608	
C1047,C1051	12911308	CAPACITOR CC25V F0.10UF Z	
C1048,C1062	C0040464	CC,CH 50V 1000PF J 1608	
C1052,C1102	C0037294	CS, 6.3V 47UF M 3528	
C1053-C1058	12911308	CAPACITOR CC25V F0.10UF Z	
C1061,C1067	12911308	CAPACITOR CC25V F0.10UF Z	
C1063,C1064	C0040464	CC,CH 50V 1000PF J 1608	
C1065,C1066	C0040464	CC,CH 50V 1000PF J 1608	
C1068,C1101	12911308	CAPACITOR CC25V F0.10UF Z	
C1103,C1111	12911308	CAPACITOR CC25V F0.10UF Z	
C1112,C1113	12911308	CAPACITOR CC25V F0.10UF Z	
C1151-C1153	12911308	CAPACITOR CC25V F0.10UF Z	
C1302	C0025384	CE, 16V 100UF M	
C1303	12911308	CAPACITOR CC25V F0.10UF Z	
C1304	C0036314	CE,6.3V 100UF M SVP	
C1307	12911308	CAPACITOR CC25V F0.10UF Z	
C1309,C1310	12911308	CAPACITOR CC25V F0.10UF Z	
C1311	C0037294	CS, 6.3V 47UF M 3528	
C1312	12911308	CAPACITOR CC25V F0.10UF Z	
C1313,C1314	C0001394	CC,CH 50V 15PF J 1608	
C1315-C1321	12911308	CAPACITOR CC25V F0.10UF Z	
D1302	S0022094	DIODE,1SS355	
FL1001	E0082904	COIL,944CM-0004 GB0	
FL1001	M02010800A	SHEET,EWA T2 3*4	
FL1301	E0095854	COIL,ACM0706-102-2P-T GXX	
J1001	E0095950	CN,MV6SS50SSN-B31(LF) GX0	
J1101	5336249300	CONN PL B03B-PH-K-S W	
J1102	E0074674	CONNECTOR,40FLT-SM1-TB	
J1151	5336386600	CONN PL 6P B6BZRSM3TF	
J1301	5336303200	CONN PL B2B-EH W	
J1302	E0047044	CONNECTOR,B10B-ZR-SM3-TF	
J1303	5336249400	CONNECTORPLUG B04B-PH-K-S	
J1304	5336249900	CONN PL B09B-PH-K-S W	
L1003,L1004	E0033204	BEAD COIL,BLM11P300S	
L1006	E0075424	COIL,FSLB2520-4R7M GAX	
L1007,L1008	E0075424	COIL,FSLB2520-4R7M GAX	
L1101,L1301	E0075424	COIL,FSLB2520-4R7M GAX	
Q1301,Q1302	S0036084	TRANSISTOR,DTC114YKA	
R1011	R0067304	RES ARRAY,1/16W 4*10K J	
R1012	11990140	RN,1/10W 5.1K OHM F 1608	
R1013-R1016	R0009194	RD,1/16W 56 OHM F	
R1027	11990362	RN,1/10W 6.34K OHM F 1608	
R1030-R1034	R0067304	RES ARRAY,1/16W 4*10K J	
R1035,R1038	11986532	RESISTOR RD 1/16W 1.0K J	
R1101	11990153	RN,1/10W 18K OHM F 1608	
R1102,R1106	11986500	RES RD 1/16W 47OHM 5%	
R1107,R1117	11986532	RESISTOR RD 1/16W 1.0K J	
R1118,R1311	11986556	RESISTOR RD 1/16W 10K J	
R1121,R1122	R0066704	RES ARRAY,1/16W 4*33 J	
R1123,R1131	R0066704	RES ARRAY,1/16W 4*33 J	
R1125	11986496	RESISTOR RD 1/16W 33 J	
R1126	11986496	RESISTOR RD 1/16W 33 J	
R1132,R1133	R0066704	RES ARRAY,1/16W 4*33 J	

1394 BVF PCB ASSY

REF. NO.	PARTS No.	DESCRIPTION	REMARKS
R1151	11986500	RES RD 1/16W 470HM 5%	
R1152,R1319	R0067304	RES ARRAY,1/16W 4*10K J	
R1171	11986500	RES RD 1/16W 470HM 5%	
R1172	11986548	RESISTOR RD 1/16W 4.7K J	
R1173,R1301	11986532	RESISTOR RD 1/16W 1.0K J	
R1174-R1177	11986500	RES RD 1/16W 470HM 5%	
R1178	11986556	RESISTOR RD 1/16W 10K J	
R1302	11986540	RESISTOR RD 1/16W 2.2K J	
R1304	11986520	RES RD 1/16W 330OHM 5%	
R1306	R0016334	RD,1/16W 220KOHM J	
R1307	11986540	RESISTOR RD 1/16W 2.2K J	
R1308,R1330	11986564	RES RD 1/16W 22KOHM 5%	
R1312,R1313	11986532	RESISTOR RD 1/16W 1.0K J	
R1321,R1323	11986556	RESISTOR RD 1/16W 10K J	
R1322	11986532	RESISTOR RD 1/16W 1.0K J	
R1324	11986532	RESISTOR RD 1/16W 1.0K J	
R1325	R0067304	RES ARRAY,1/16W 4*10K J	
R1326	11986556	RESISTOR RD 1/16W 10K J	
R1331	11986564	RES RD 1/16W 22KOHM 5%	
R1332,R1334	11986532	RESISTOR RD 1/16W 1.0K J	
R1333,R1335	11986500	RES RD 1/16W 470HM 5%	
R1336	11986532	RESISTOR RD 1/16W 1.0K J	
R1337	11986532	RESISTOR RD 1/16W 1.0K J	
R1338	11986532	RESISTOR RD 1/16W 1.0K J	
U1007	S0059283	IC,TSB43CA42PGFG4 GA0	
U1101	S0053004	IC,AK4112BVF-E2	
U1102	S0057034	IC,SN74CBTLV3257PWR GXX	
U1105	S0057044	IC,SN74AHC1GU04DCK GXX	
U1109,U1110	S0049493	IC,TC74VHC541FT TSSOP	
U1151	S00584900A	IC,SIF PLD BVF V1.00	
U1302	S0060310	IC,PQ3RF33J GZ0	
U1304	S0052944	IC,TC7SET08FU(TE85L)	
U1305	S0057054	IC,M62705ML GXX	
U1306	S00571500C	IC,ROM SIF V1.11	
U1307	S00571400C	IC,MPU SIF V1.11	
U1308	S0057044	IC,SN74AHC1GU04DCK GXX	
X1001	E0095504	RESONATOR,LIM55A-T24M GXX	
X1301	E0095494	RESONATOR,LIM55A-T16M GXX	

DATA JCT PCB ASSY

REF. NO.	PARTS No.	DESCRIPTION	REMARKS
	E95231600A	PCB ASSY,DATA JCT	
	E90231600A	PCB,DATA JCT	
	E0095420	TERMINAL,M1866-A GZ0	
C3001,C3003	C0007914	CC, B 16V 0.10UF K 1608	
C3002,C3004	C0036264	CE, 10V 47UF M SVP	
C3005,C3007	C0007914	CC, B 16V 0.10UF K 1608	
C3006,C3008	C0036264	CE, 10V 47UF M SVP	
C3009	C0007914	CC, B 16V 0.10UF K 1608	
C3010	C0036264	CE, 10V 47UF M SVP	
C3012,C3013	C0007914	CC, B 16V 0.10UF K 1608	
P3001	13124424	CONNECTOR ZH B 2B-ZR	
P3002-P3004	E0074674	CONNECTOR,40FLT-SM1-TB	
R3004-R3010	11986500	RES RD 1/16W 47OHM 5%	
R3014-R3034	11986500	RES RD 1/16W 47OHM 5%	
R3035,C3011	11986738	CHIP JUMPER (1.6*0.8)	
R3036-R3044	11986500	RES RD 1/16W 47OHM 5%	
R3045	R0016014	RD,1/16W 10KOHM J	
RA3003-RA3006	R0066744	RES ARRAY,1/16W 4*47 J	
RA3009-RA3012	R0066744	RES ARRAY,1/16W 4*47 J	
U3002-U3004	S0049493	IC,TC74VHC541FT TSSOP	

INCLUDED ACCESSORIES

REF. NO.	PARTS No.	DESCRIPTION	REMARKS
	E00309700E	POWER CORD,SET 2P DM	DM
	E0093270	POWER CORD,3CUL 34895 VEL	T/C
	15922303	CORD, SET 3P (0306B-0303B)	EUR,KOR
	E00858000A	RMT CONT,RC-942 UX-1	
	5347006900	C-BATTERY JPN	DM
	5347007000	C-BATTERY ENG	EXP
	D00867500A	WARR CARD,T/C E/F ESO	T/C
	D00867400A	WARR CARD,EUR/KOR E/F ESO	EUR,KOR
	D00797600	POSTCARD,USER A	DM
	D00856100B	OWNERS MNL,DM UX-3	DM
	D00819900A	DISTRIBUTOR LIST,WORLD	EXP
	D00864200A	OWNERS MNL,ENGLISH UX-3	EXP
	M01499300A	CUSHION,FOOT 40	
	J0079750	SCRERWDRIVER,NDV-5+	EXP
	M02109900A	SHEET,INFO PROTECTION	DM

PACKAGE

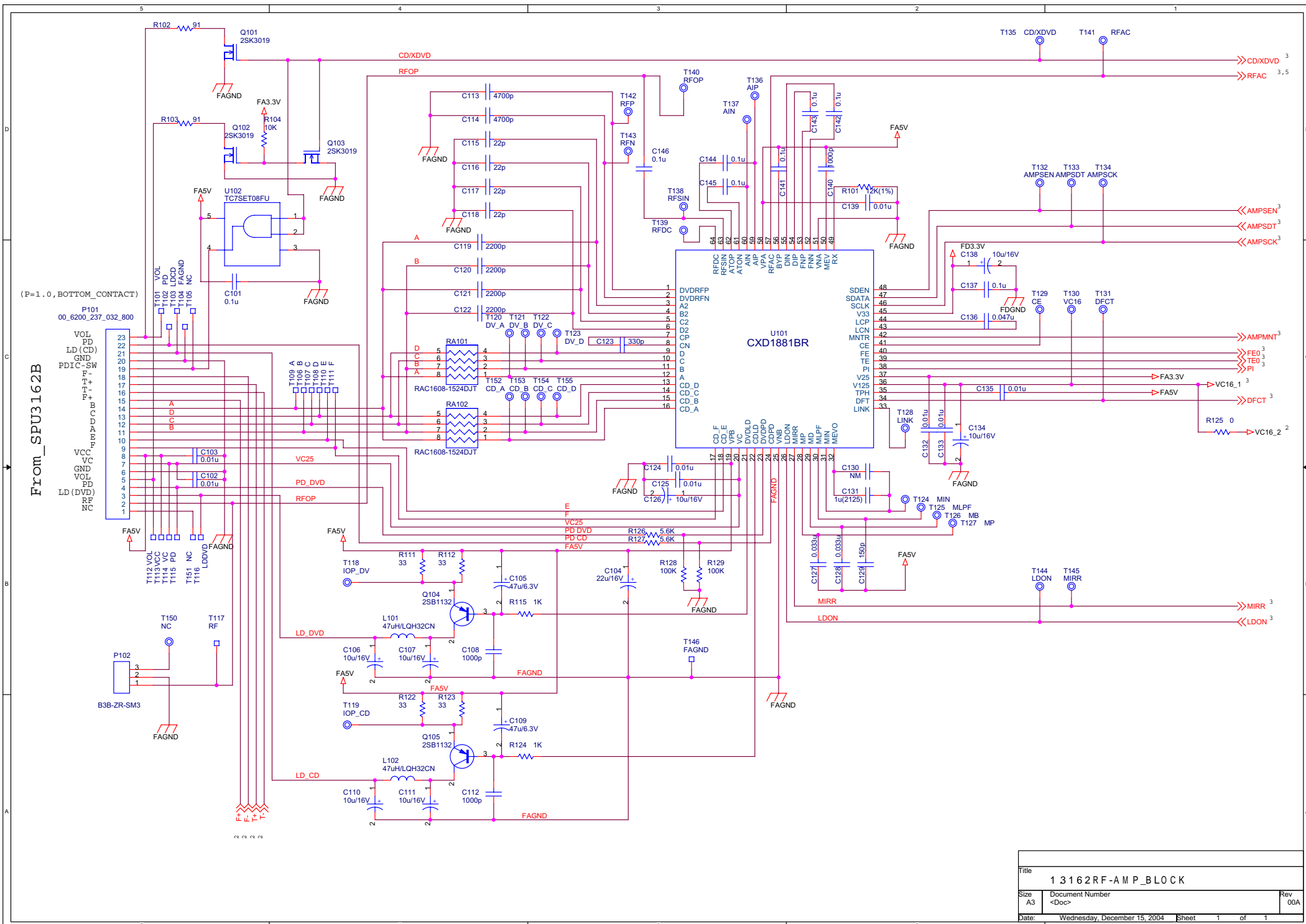
REF. NO.	PARTS No.	DESCRIPTION	REMARKS
	Y00271000B	SET PACKAGE,DM UX-3	DM
	Y00271010B	SET PACKAGE,EXP UX-3	EXP
	M00743800B	POLTHN SHEET,1350*640	
	M01972900A	BAG,NO-WOVEN 430*430*170	
	M00481200B	SILICAGEL,DA-38	
	M01555400A	POLTHN SHEET,AIR 600X350	
	5725192901	PROTECTOR, COATING	
	M0197610	JOINT,HANDLE PP-901WP2	

ESOTERIC SCHEMATIC DIAGRAM SACD/DVD PLAYER

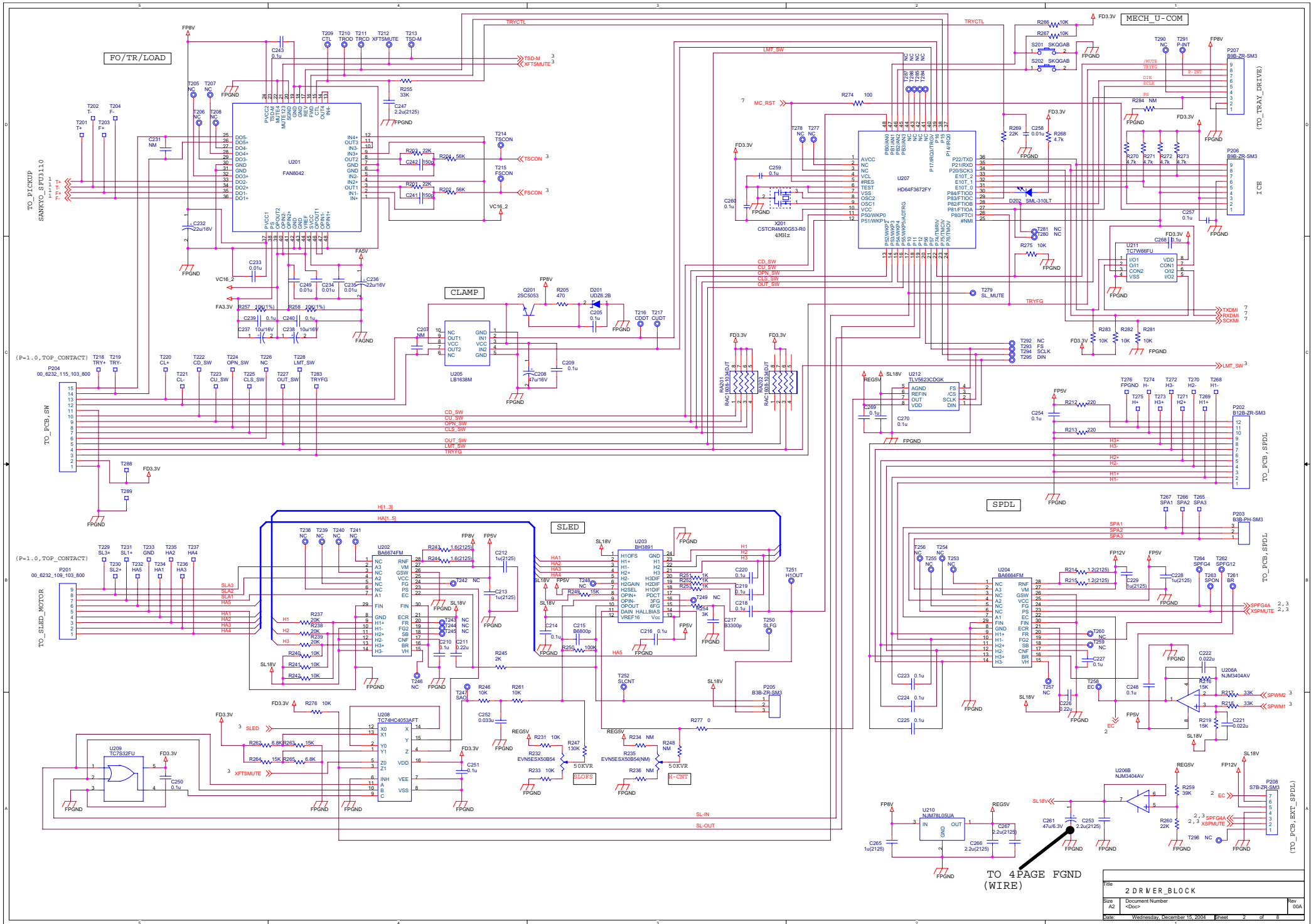
UX-3, X-03

CONTENTS

PCB ASSY,CORE 3162PU	1 to 8
RF AMP	1
DRIVER	2
DVD DEC	3
POWER SUPPLY	4
DSD DEC	5
MPEG DEC	6
B/E U-COM	7
AUDIO DSP	8
PCB ASSY, 1394 BVF/1	9
PCB ASSY, 1394 BVF/2	10
PCB ASSY, DATA JCT	11
PCB ASSY, D-OUT	12
PCB ASSY, FRONT	13
PCB ASSY, GATHER(B), POWER PCB ASSY, INLET	14
PCB ASSY, VIDEO 2 INPUT DV1	15
PCB ASSY, VIDEO 2 DAC OUT	16
PCB ASSY, DAC 2CH	17
PCB ASSY, DAC 2CH	18

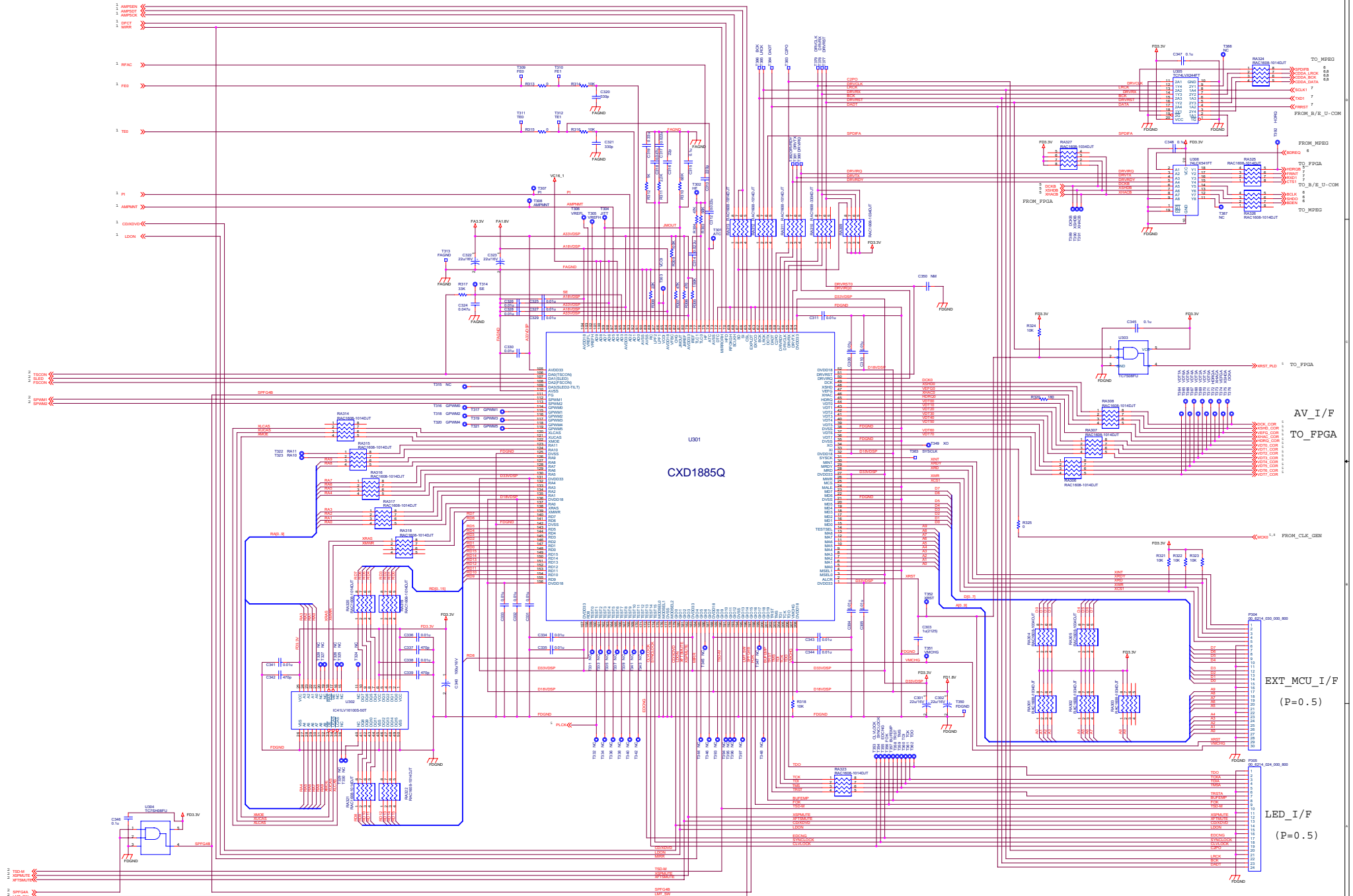


Title		1 3162RF-AMP_BLOCK	
Size	A3	Document Number	<Doc>
Date:	Wednesday, December 15, 2004	Sheet	1 of 1
Rev	00A		

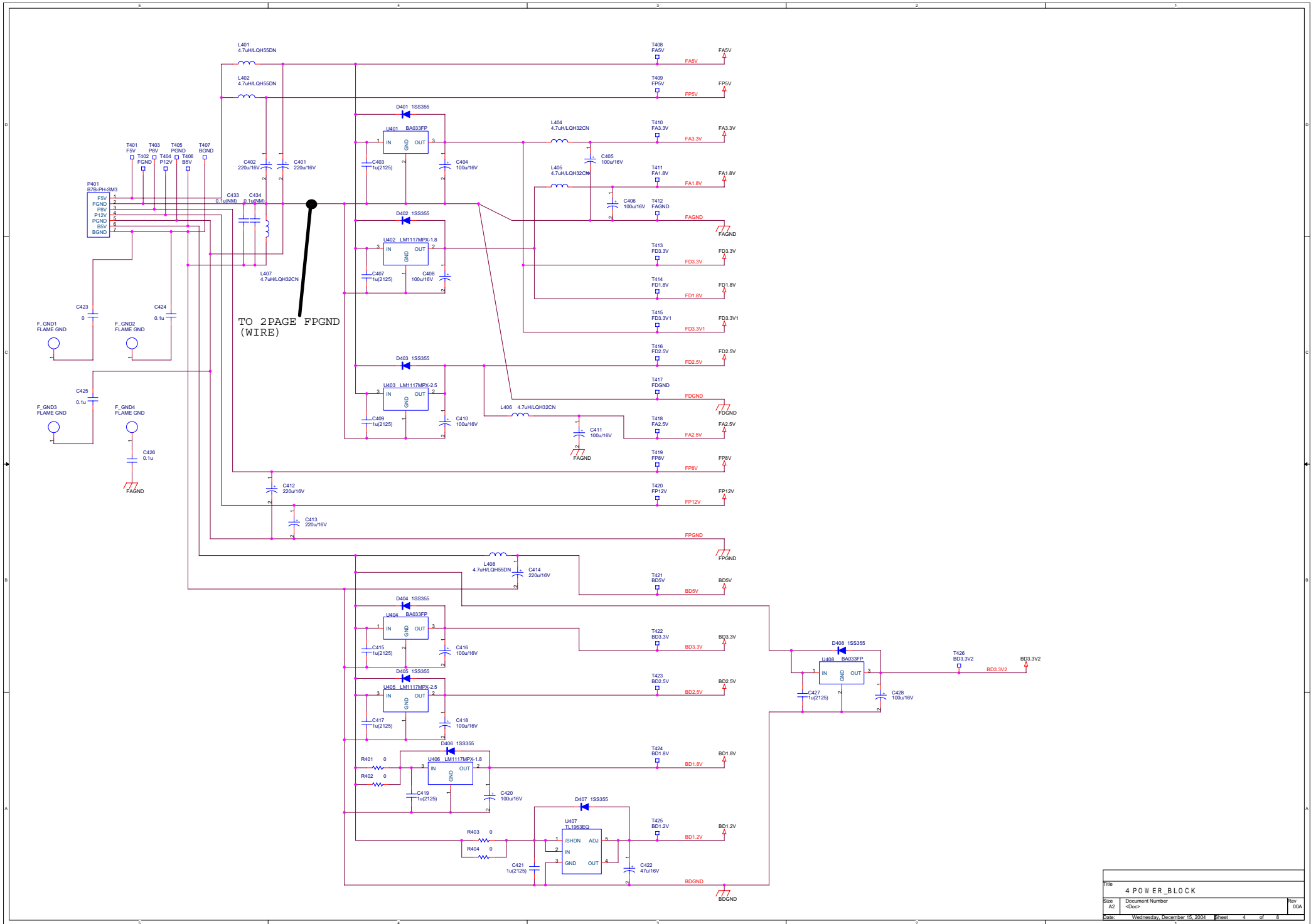


TO 4PAGE FGND (WIRE)

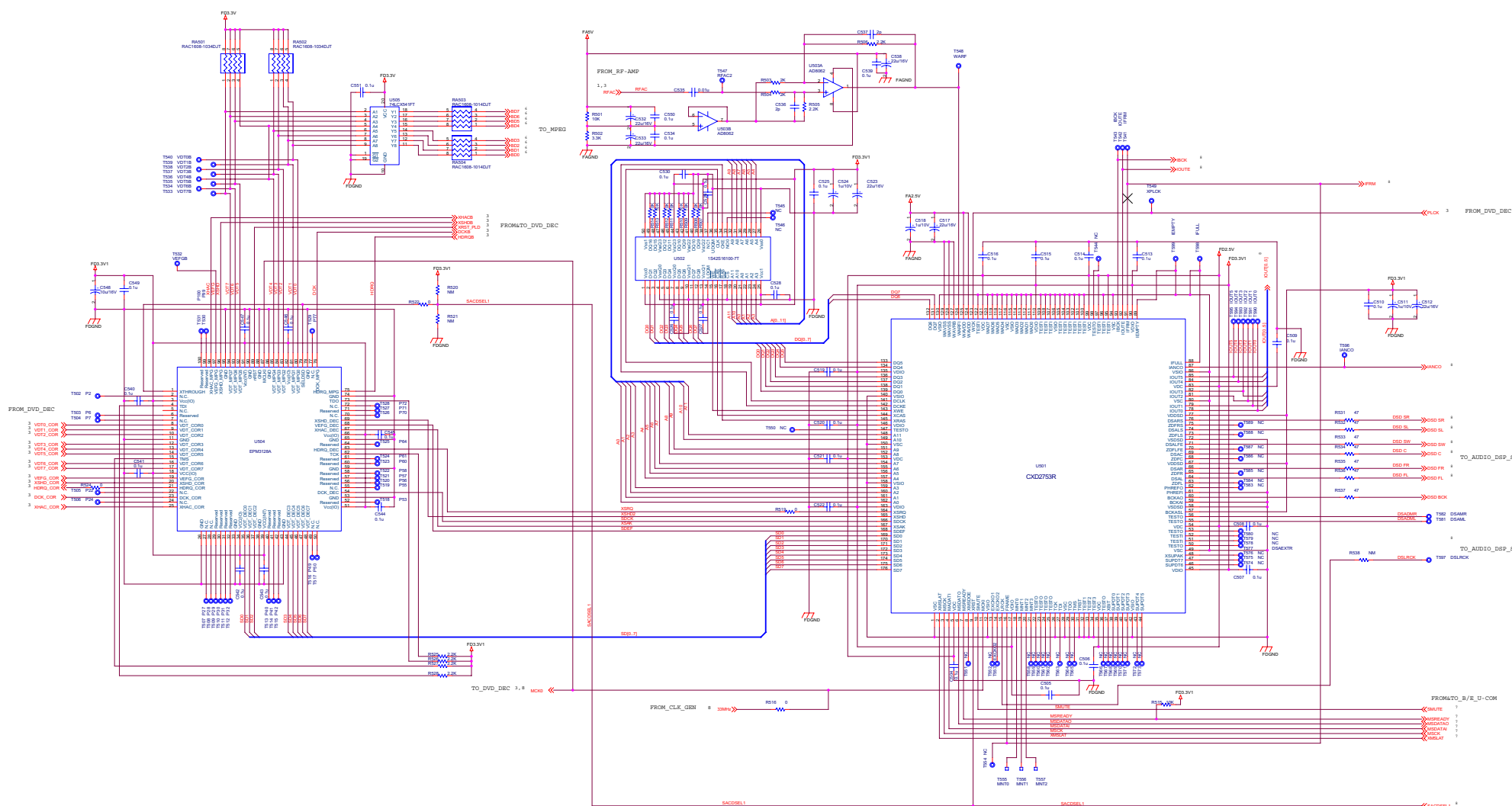
Title		2 DRIVER_BLOCK	
Size	A2	Document Number	<Doc>
Date	Wednesday, December 15, 2004	Sheet	2 of 8



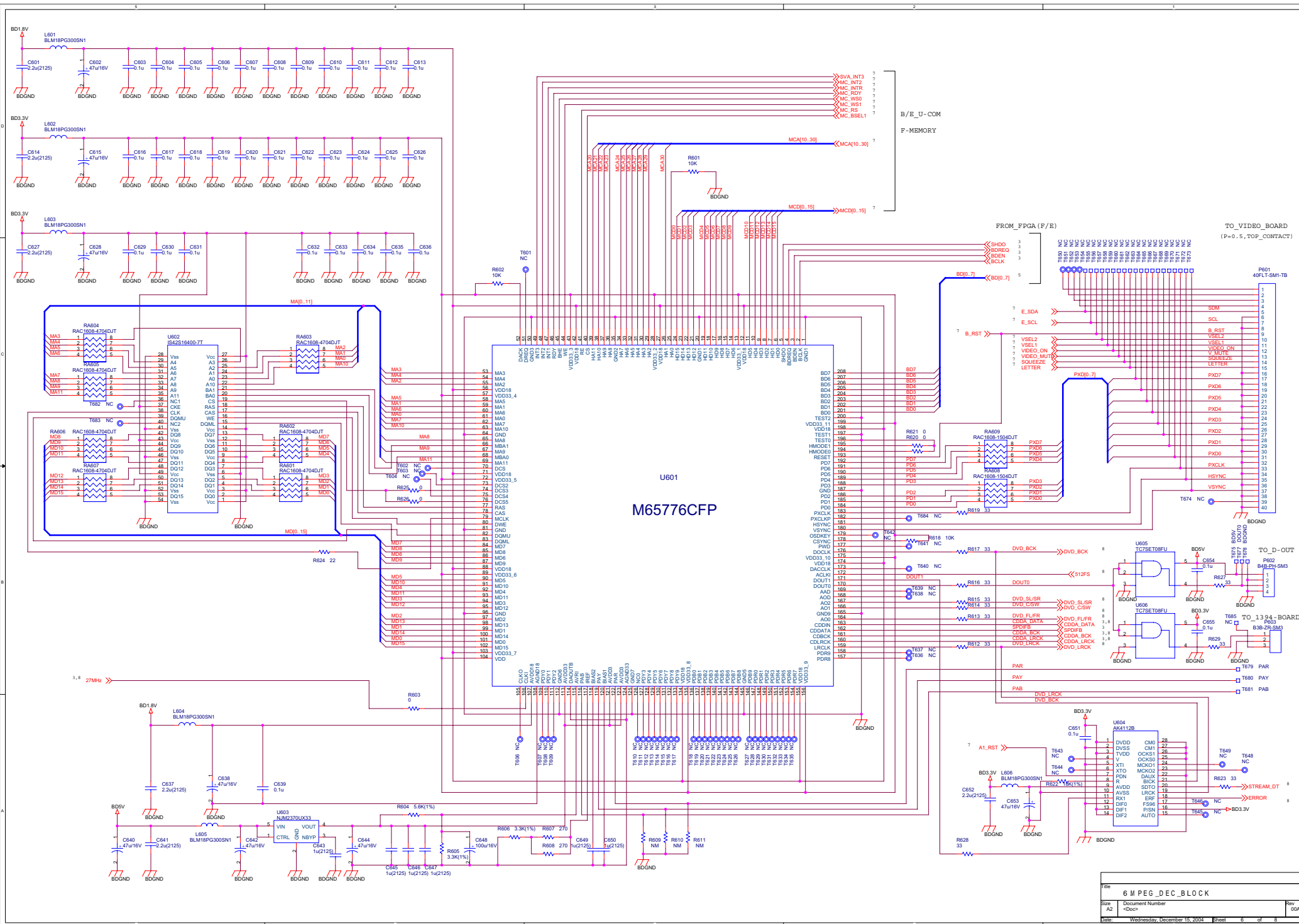
3DVD_DEC_BLOCK	
Rev	1.0
Doc	3DVD_DEC_BLOCK
Author	XXXXXXXXXX
Check	XXXXXXXXXX
Workdate	XXXXXXXXXX

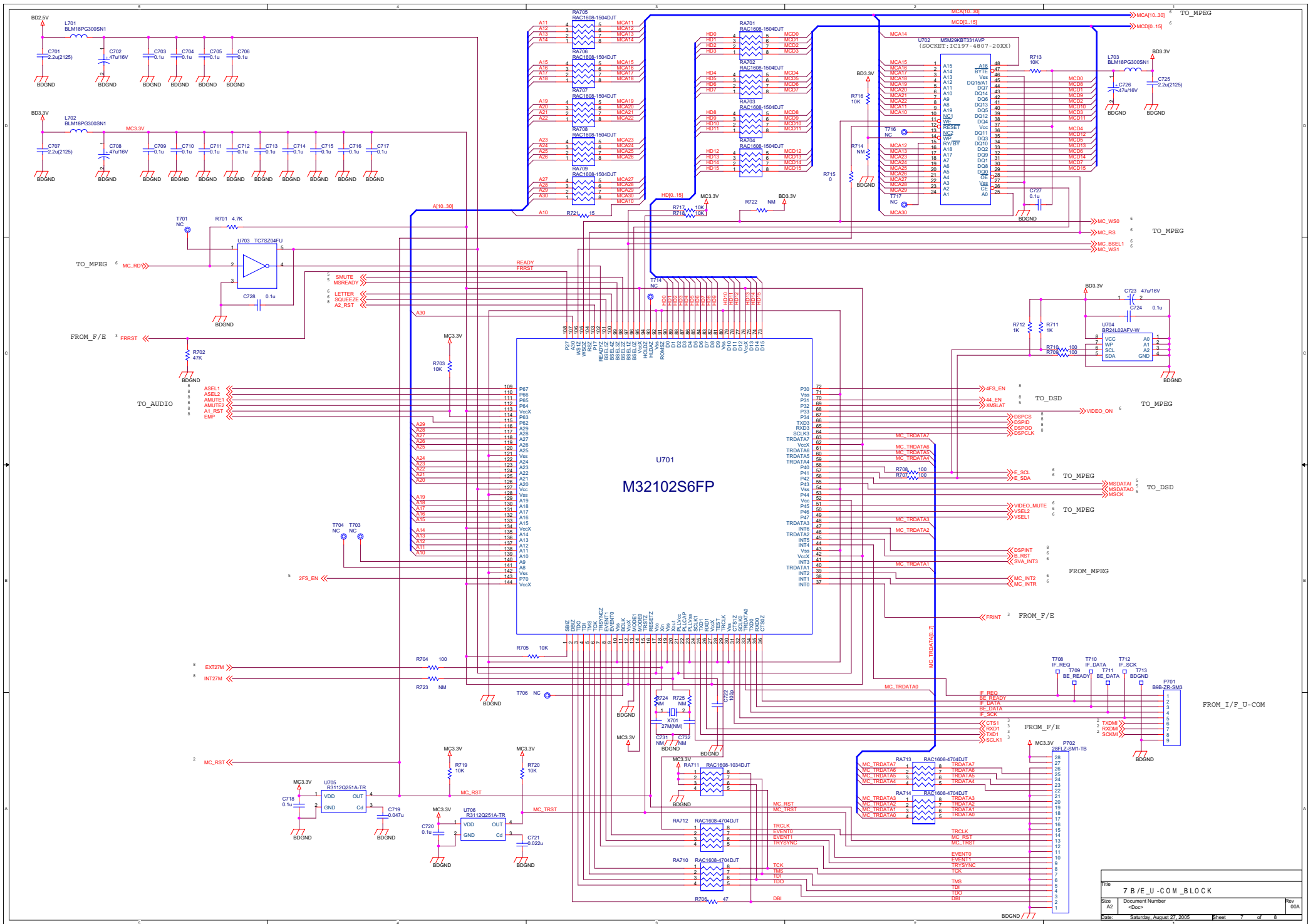


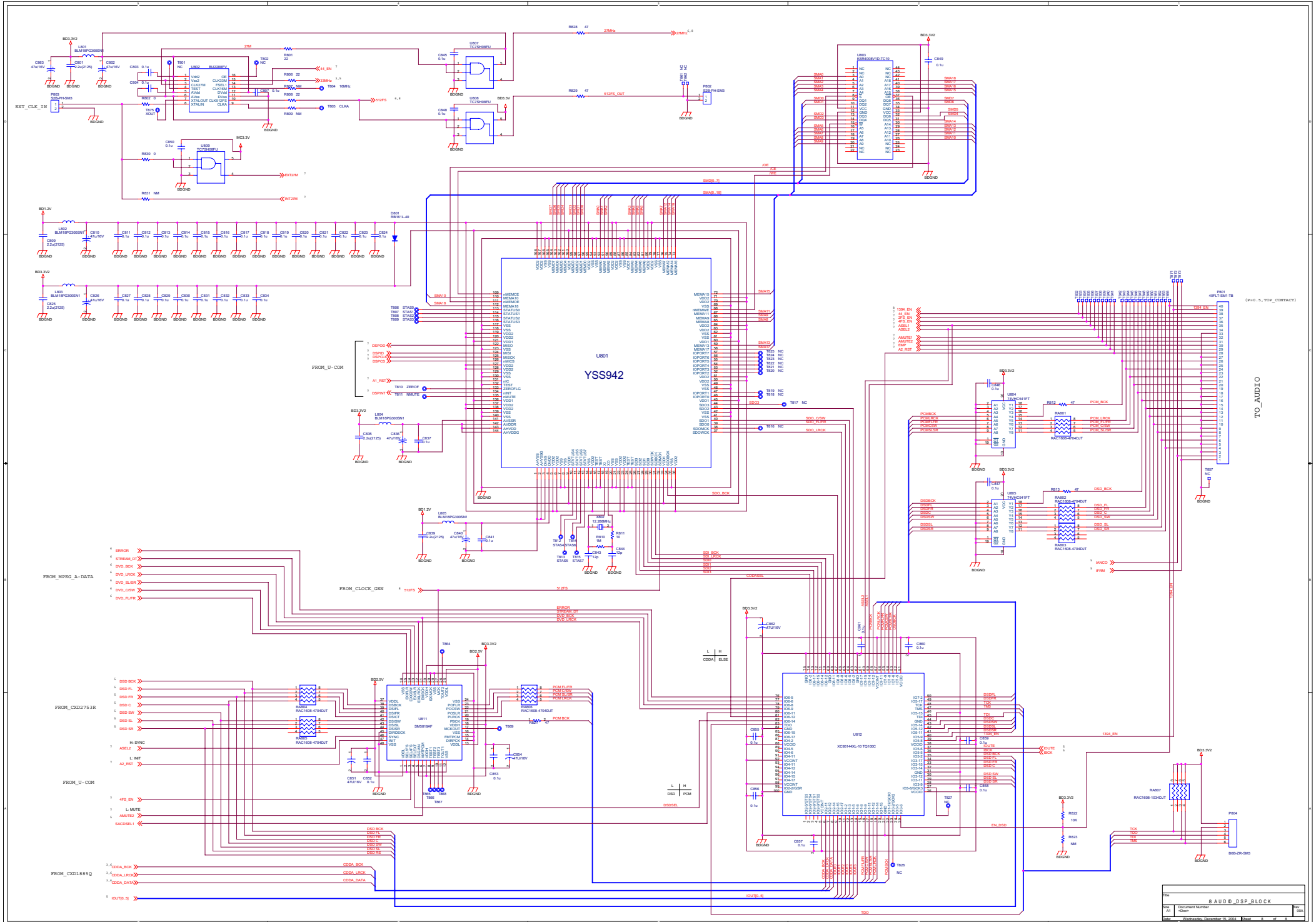
File 4 POWER_BLOCK		
Size A2	Document Number <doc>	Rev 00A
Date Wednesday, December 15, 2004	Sheet 4	of 8

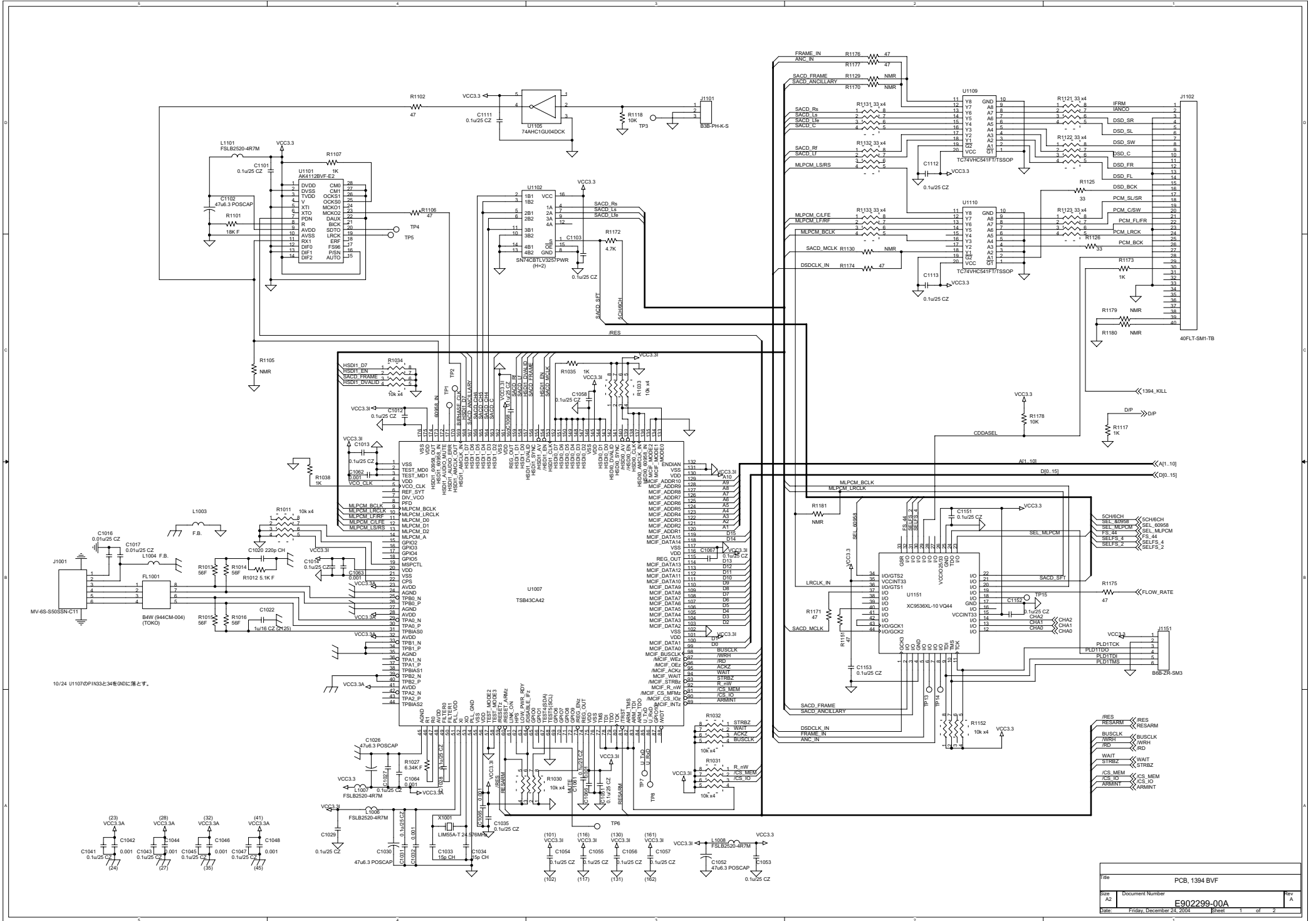


5 DSD_DEC_BLOCK		
Doc#	Document Number	Rev#
Rev#	Workdate: September 14, 2004	Drawn: [unintelligible]

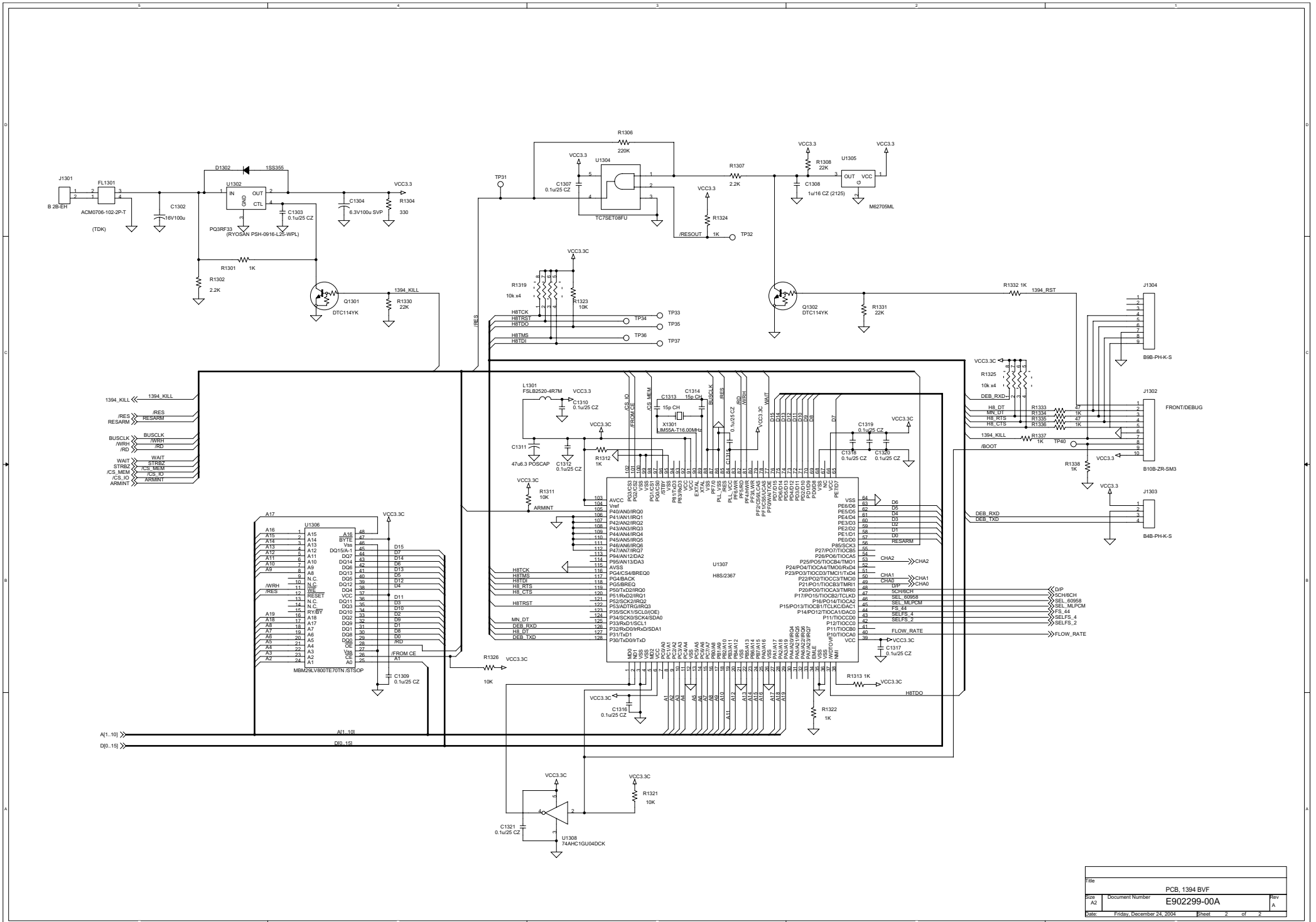




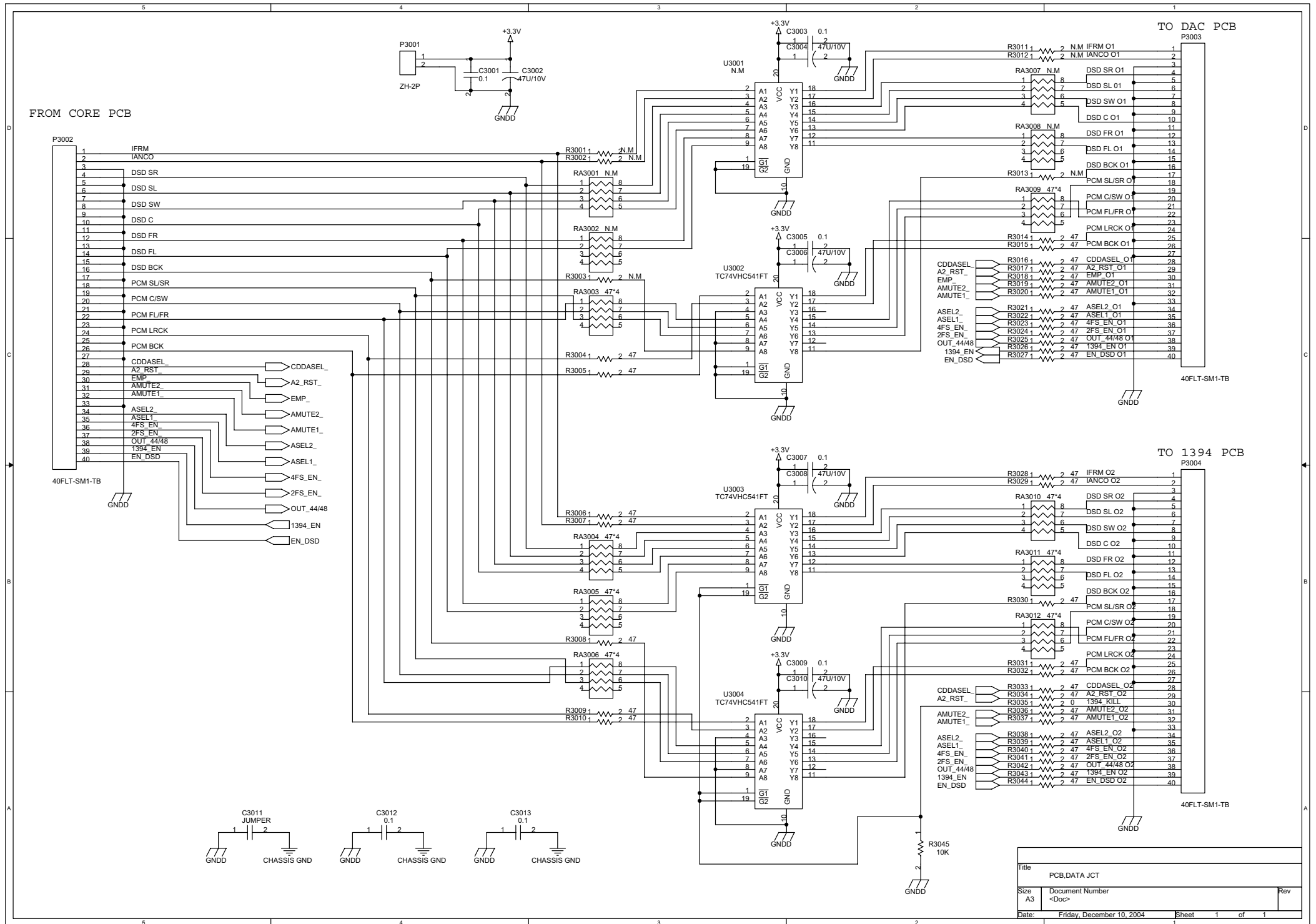




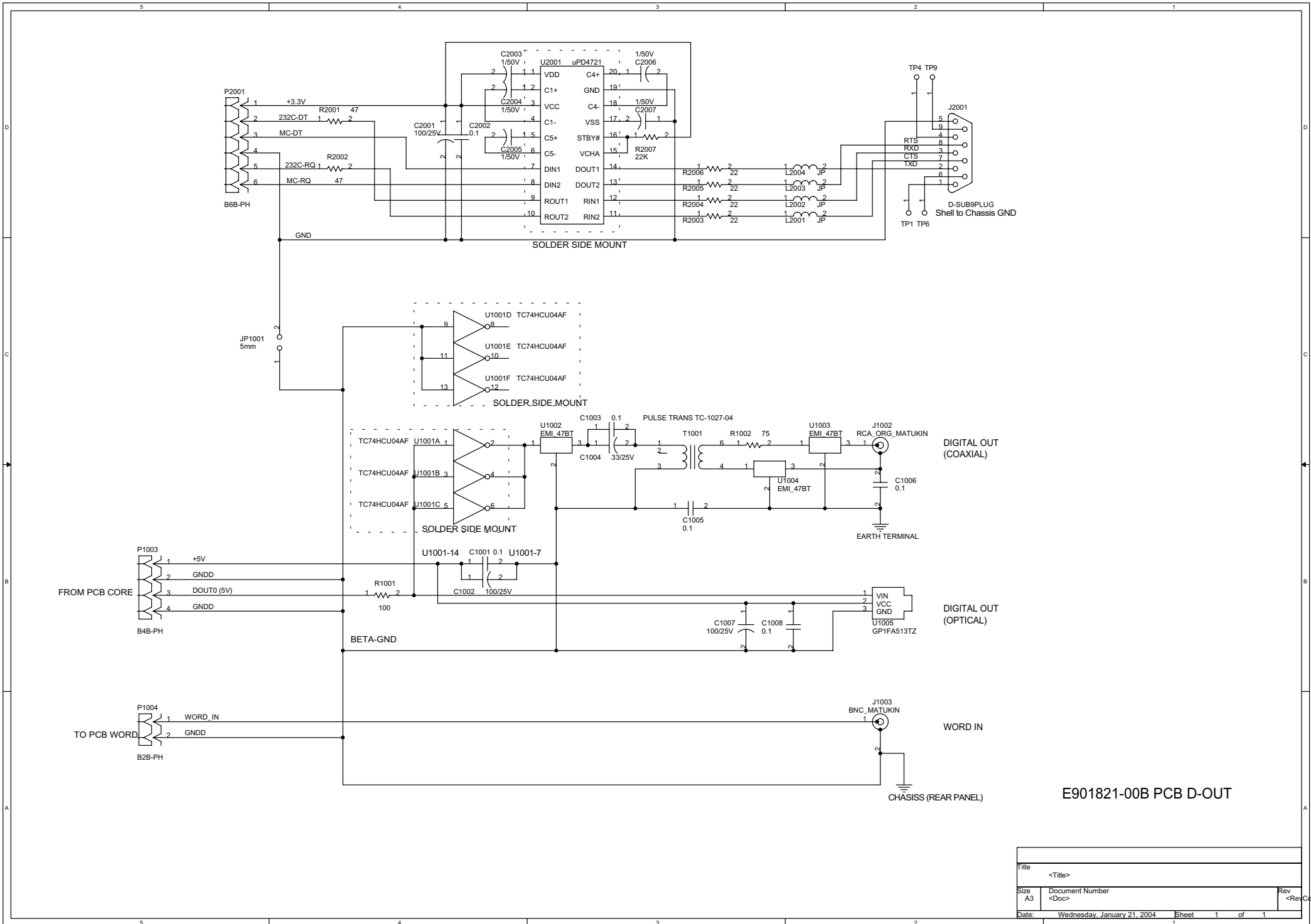
File	PCB, 1394 BVF	
Size	Document Number	Rev
A2	E902299-00A	A
Date:	Friday, December 24, 2004	Sheet 1 of 2



File	PCB_1394 BVF		
Size	Document Number	E902299-00A	
Date	Friday, December 24, 2004	Sheet	2 of 2

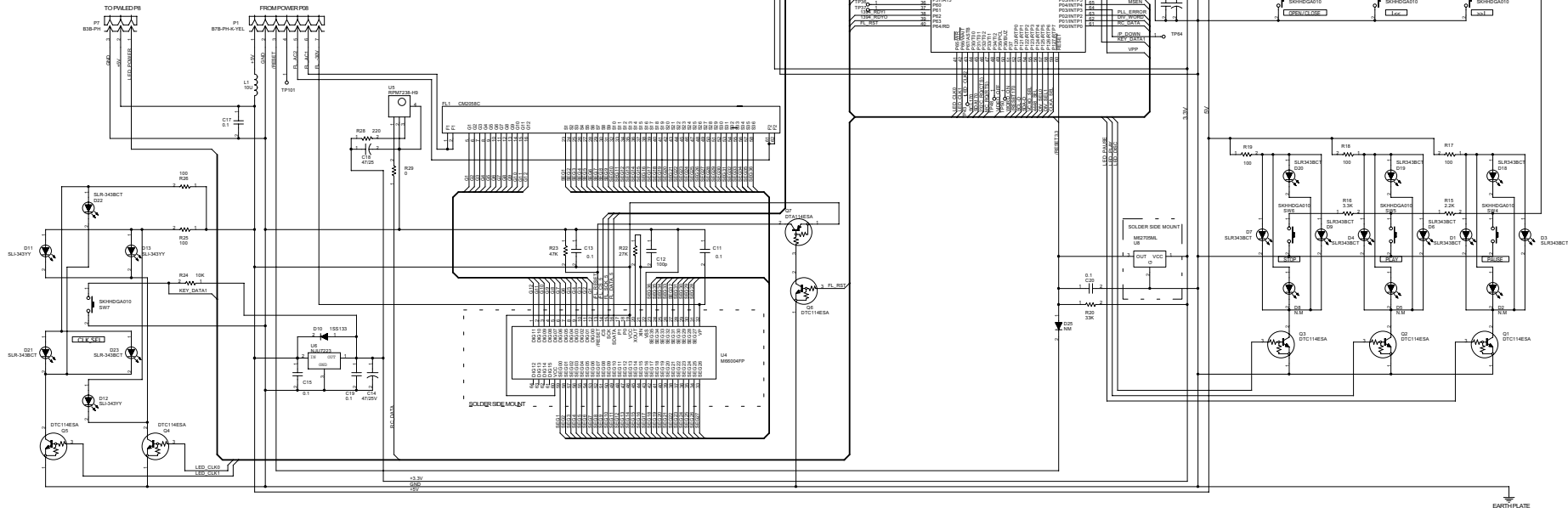
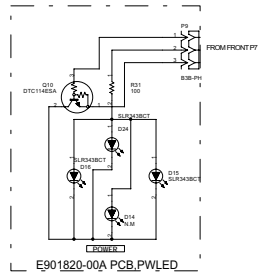


Title		
PCB, DATA JCT		
Size	Document Number	Rev
A3	<Doc>	
Date:	Friday, December 10, 2004	Sheet 1 of 1



E901821-00B PCB D-OUT

Title		
<Title>		
Size	Document Number	Rev
A3	<Doc>	<Rev Code>
Date:	Wednesday, January 21, 2004	Sheet 1 of 1



MODEL SELECT

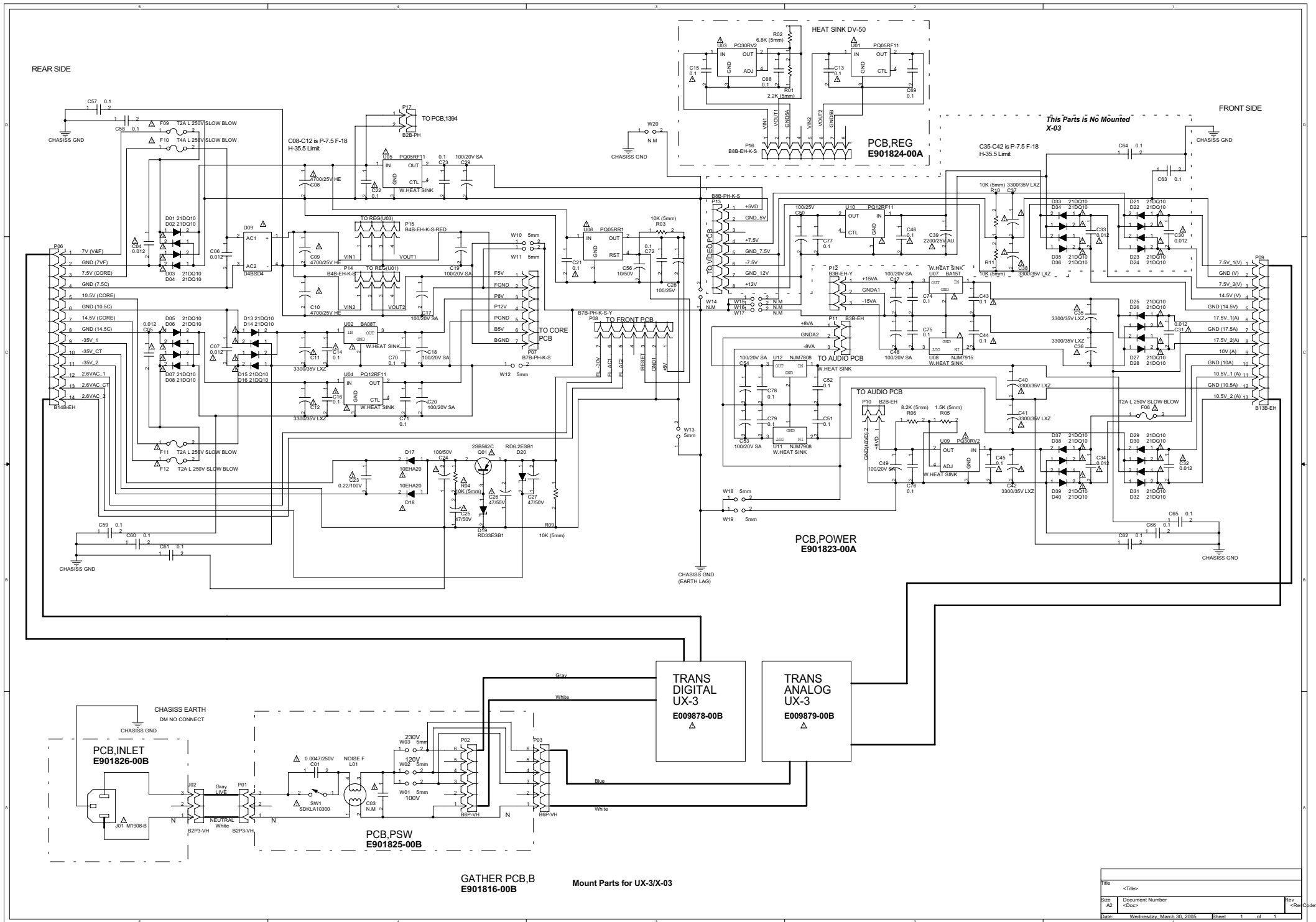
U1	U2	U3	U4
U1A	U1B	U1C	U1D
U2A	U2B	U2C	U2D
U3A	U3B	U3C	U3D
U4A	U4B	U4C	U4D

REGION SELECT

R1	R2	R3	R4
R1A	R1B	R1C	R1D
R2A	R2B	R2C	R2D
R3A	R3B	R3C	R3D
R4A	R4B	R4C	R4D

E901819-00D
PCB,FRONT

- 2003/1/14 Rev.1.2 R17-R19,R25,R26 R31 change
- 2004/1/14 Rev.1.3 JPN Plus
- 2004/1/21 Rev.1.4 UR Plus / C20 Mount / D25 No Mount
- 2004/1/29 Rev.1.5 PS change / L1 Plus

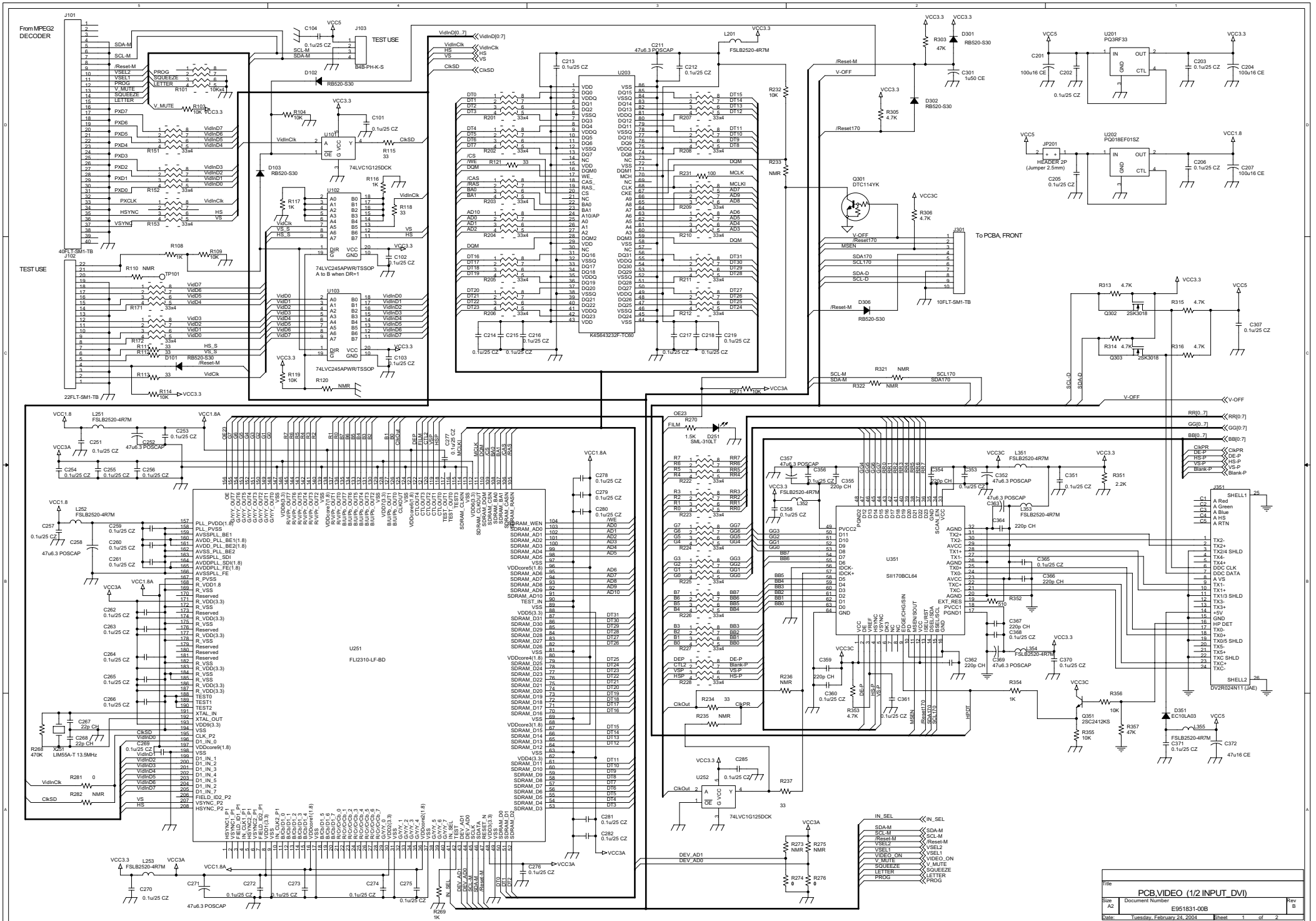


GATHER PCB, B
E901816-00B
Mount Parts for UX-3/X-03

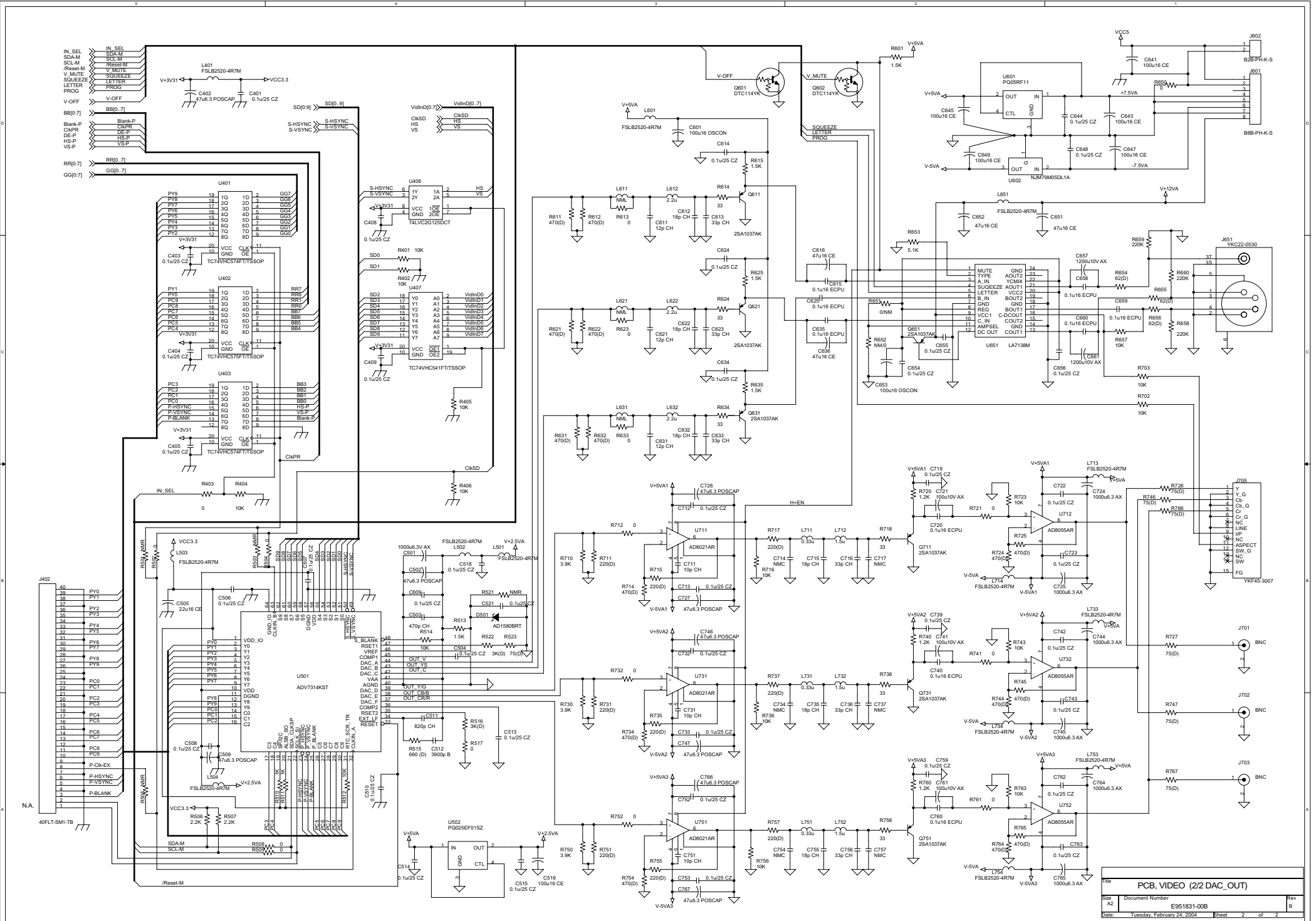
Rev	<Title>	
Doc A2	Document Number	Rev
Date:	Wednesday, March 30, 2005	Sheet 1 of 1

15. VIDEO 1/2 INPUT DV1 PCB ASSY

UX-3



File: PCB_VIDEO (1/2 INPUT DVI)			
Size	Document Number	Rev B	
A2	E951631-00B		
Date:	Tuesday, February 24, 2004	Sheet	1 of 2



PCB, VIDEO (2/2 DAC_OUT)			
Size	Document Number	Rev	
A2	E951831-008	B	
Date	Tuesday, February 24, 2004	Sheet	2 of 2

